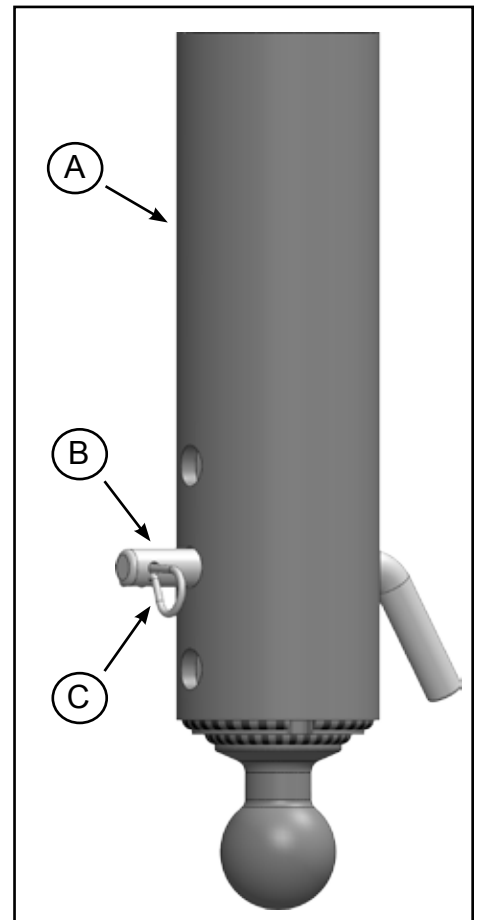




SuperLite Horse Trailer Adapter #4443

IMPORTANT: You must read the SuperLite Owner's Manual prior to operating your hitch. If you have already installed the King Pin Adapter onto your trailer's king pin, you will need to remove it by following the installation instructions on pg. 5. If you did not receive your SuperGlide Owner's Manual, you can download it from our website at www.pullrite.com.

1. Check the Parts List quantities below before you begin. Call (800) 443-2307 to report any shortage.
2. If you have previously installed the SuperLite King Pin Adapter, see the note above; if your trailer has an existing gooseneck insert, loosen the set screws and remove the cross pin.
3. Insert the SuperLite Horse Trailer Adapter into your trailer's gooseneck tube.
4. Adjust the height of the SL Adapter to match the best height for use with your SuperGlide hitch and horse trailer.
5. Once the proper height is achieved, insert the cross pin and pin clip.



PARTS LIST

Item	Description	Part No.	Qty.	Material
A	TUBE AND PLATE ASSEMBLY	444301	1	
B	HORSE TRAILER ADAPTER CROSS PIN	44240701	1	
C	PIN CLIP	98410143	1	#9 Zinc Plated Hitch Pin Clip

Cross-Pin Modification Instructions

1. Insert the SuperGlide Horse Trailer Adapter into the trailer's drop tube, leaving the last two holes visible (see Figure 1) and tighten the existing set screws to hold the adapter in place.
2. Verify that the Adapter is set square to the trailer by measuring on the diagonal from identically opposite points as illustrated in Figure 2 below.
3. Once the adapter is square to the trailer, starting on the driver side, draw a vertical center line through the holes in the adapter, extending the line at least 2" up the drop tube of your trailer. This will help you in finding the correct location to drill for the cross pin. See Figure 1.
4. Using the centerline as a guide, measure 1-1/2" up from bottom of drop tube, mark, and center punch where your drawn lines intersect.
5. Repeat Steps 3 & 4 for the passenger side of the trailer. Remove the SG Horse Trailer Adapter and set aside.
6. Drill holes independently from each side, starting with a small 1/8" drill bit, and working progressively larger to 3/4".
7. Deburr the drilled holes, especially on the inside of the drop tube and reinstall the Adapter as before, and insert the 3/4" cross pin through all four holes so that it comes out cleanly on the other side. Once in place, install the pin clip.
8. Tighten set screws.
9. If the cross pin does not insert cleanly through all four holes, use a 3/4" diameter drill bit at least 5" long, and "line drill" through all four holes until the cross pin can be installed cleanly.

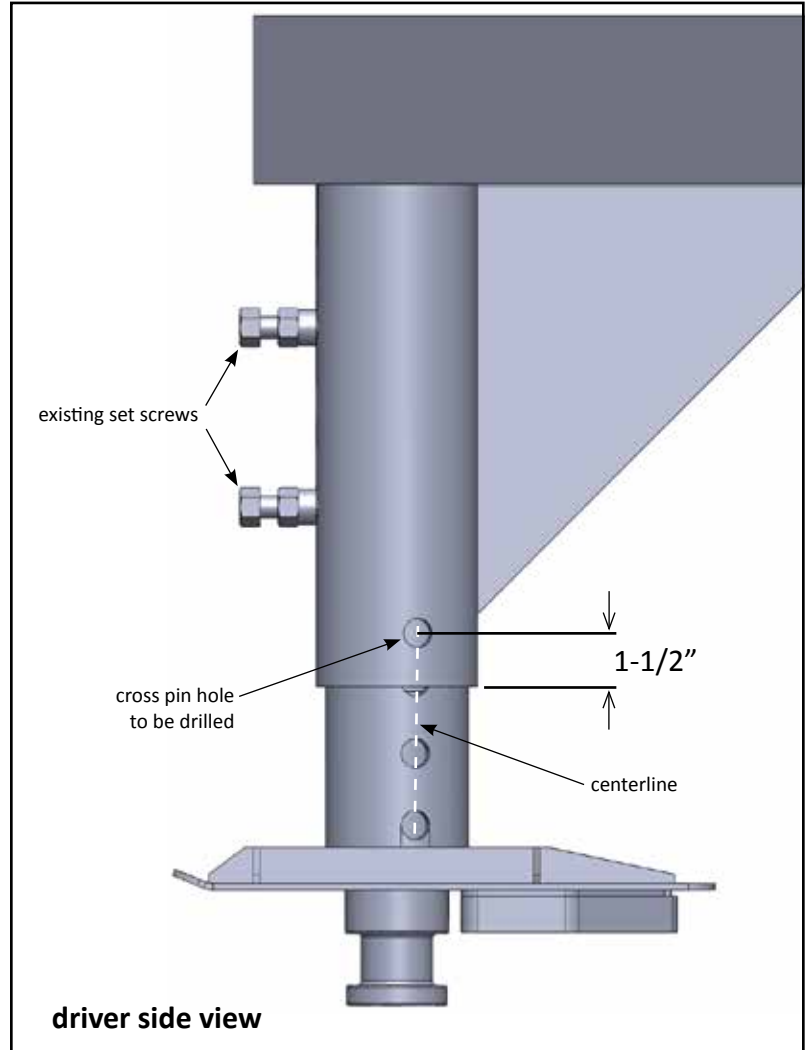


Figure 1

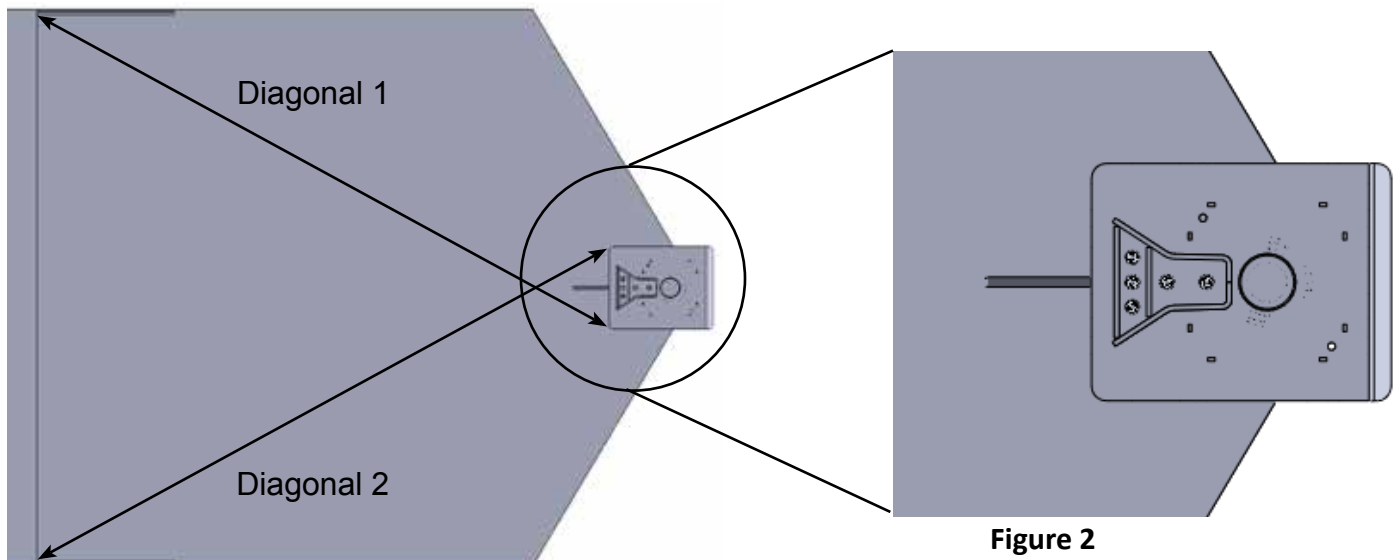


Figure 2