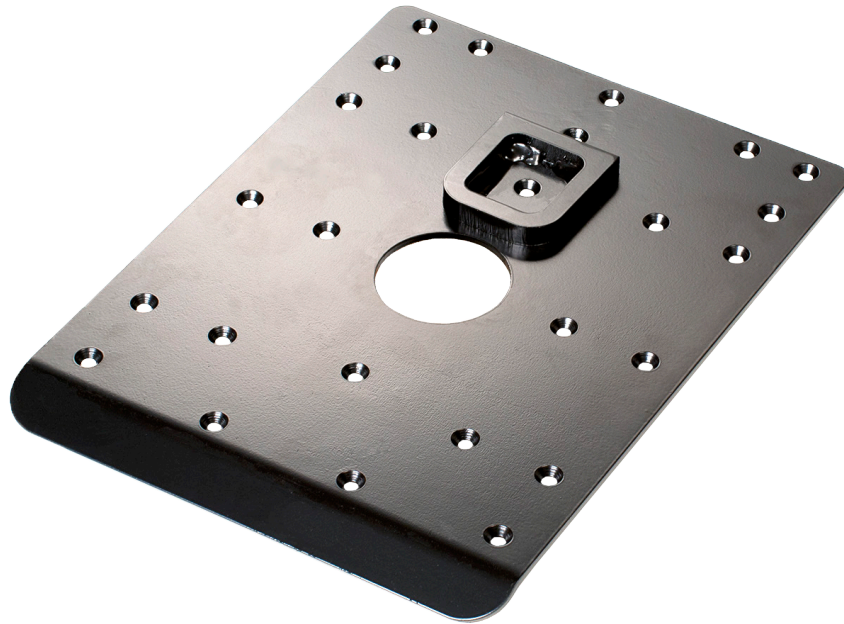




Universal Capture Plate

Kit #3317 / Plate #331701



Installation Instructions

*To function properly, the SuperGlide requires that a Universal Capture Plate or a Quick Connect Capture Plate (available for various king pin box sizes) be installed to the trailer's king pin box **prior** to use.*

The following instructions should be followed to install the Universal Capture Plate to your trailer's king pin box. The installation instructions for the three king pin box designs that are most frequently manufactured, are outlined in the following pages.

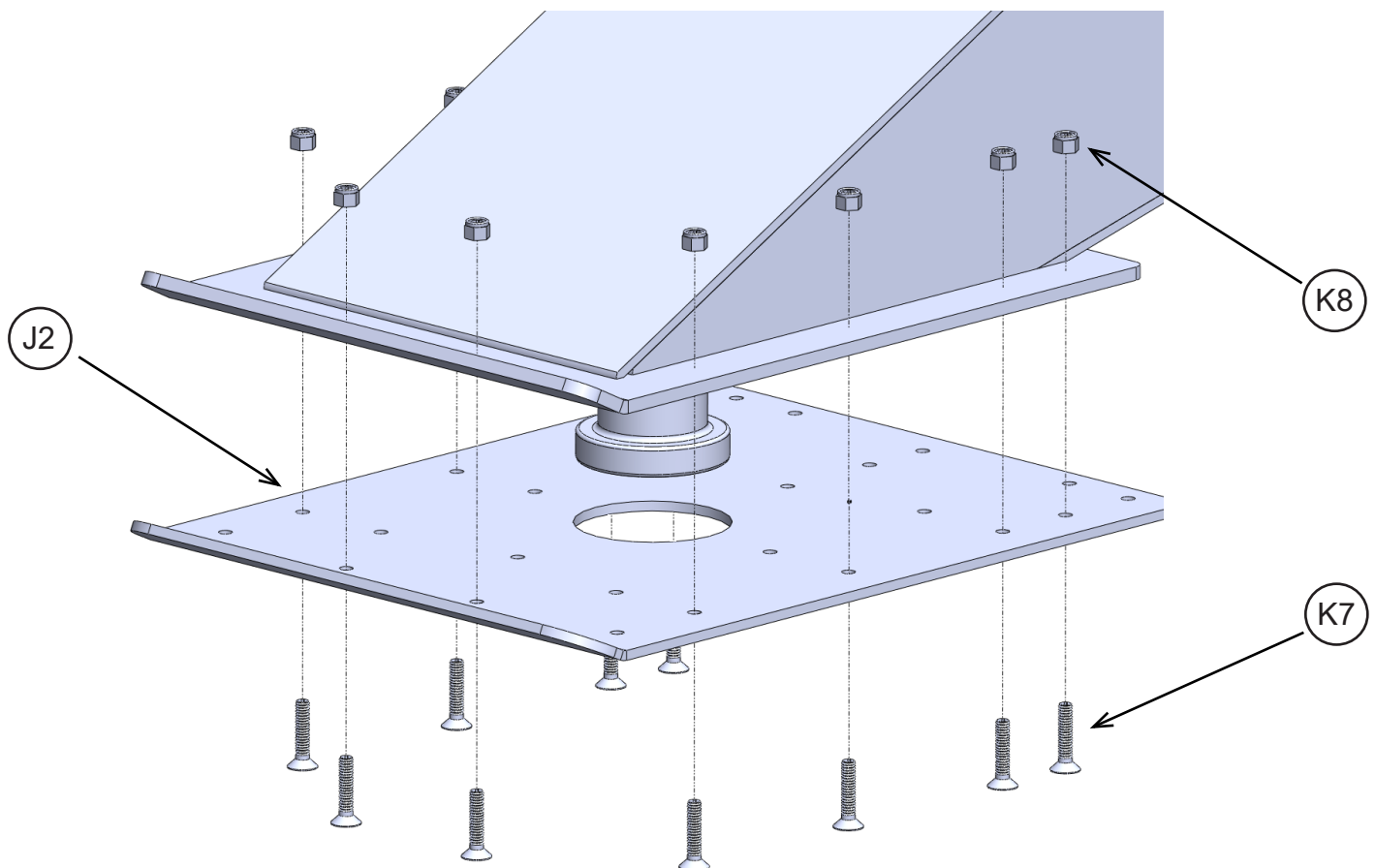
For more information or installation assistance, please call PullRite at (800) 443-2307.

I. FOR KING PIN BOXES WITH A FLANGE THAT EXTENDS BEYOND THE KING PIN BOX'S FOUR SIDES

1. Place the Universal Capture Plate {J2} over the King Pin, with the guide wedge towards the rear of the trailer (wedge facing down). Align the Capture Plate square with the king pin box and clamp in place to prevent movement.
2. Mark the holes for drilling through the Capture Plate onto the King Pin Box flange.
3. Remove the Capture Plate or use it as a guide and drill $\frac{1}{4}$ " holes through the flange.
4. Re-install the Capture Plate (as in step 1).
5. Use the $\frac{1}{4}$ " bolts provided, to secure the Capture Plate onto the king pin box flange. A minimum of 10 bolts must be used to fasten the Capture Plate on. Make certain all the bolts are flush with the trailer plate. Fasteners that are installed at an angle catch and "drag" on the 5th wheel plate surface, weakening the integrity of the fastener.

NOTE: Use as many bolts on the outer edge as indicated in the illustration below.

6. If the Universal Capture Plate extends beyond the King Pin box in the front, and there is enough room, install the braces {K2-K6} as shown in Figure 2. These fasteners do not count as part of the minimum number of bolts required.



III. FOR KING PIN BOXES THAT ARE EQUIPPED WITH A KING PIN PLATE LESS THAN 12" FROM FRONT-TO-BACK

1. It is necessary for the king pin plate to be long enough front-to-back to support the Universal Capture Plate (Part #3317, sold separately).
2. If the Universal Capture Plate extends *more than two inches beyond the front edge of the king pin plate and/ or two inches beyond the back edge*, it will be necessary to weld the extension plates provided with the Universal Capture Plate to the king pin plate for added support.
3. Attach the front and rear extension plates to the Universal Capture Plate with two fasteners each and the rear extension plate with five fasteners as shown in Figure 1.
4. Clamp the Universal Capture Plate, equipped with the front and rear extensions, to the bottom of your king pin box. You may find the fasteners interfere with the bottom of the king pin box, as well as the extension plates preventing the Universal Capture Plate from sitting flush with the king pin box (see Figure 2). It will be necessary to trim the extension plates, as the Universal Capture Plate *must* fit **flush** against the king pin plate.
5. While clamped to the king pin box, mark the extension plates where they need to be trimmed for the best fit (see Figure 3).
6. Unclamp the Universal Capture Plate from the king pin plate, remove the marked extension plates and set the fasteners aside.
7. Trim the extension plates (see Figure 4) and re-attach them to the Universal Capture Plate.

Installation Tip: Once the rear extension plate is on, it becomes difficult to install the nuts on the back plate. A shortcut would be to tack weld the nuts over the suitable holes provided in the rear. This will aid in ease of installation of the Universal Capture Plate.

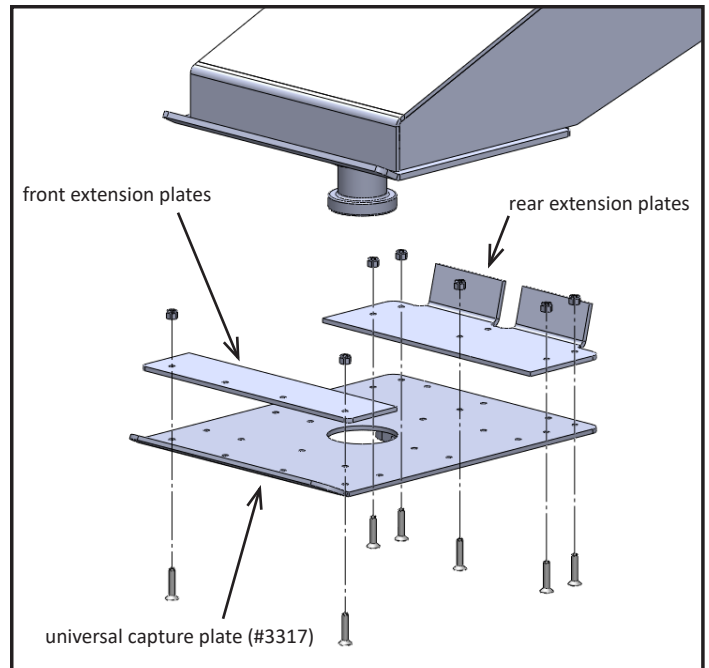


Figure 1

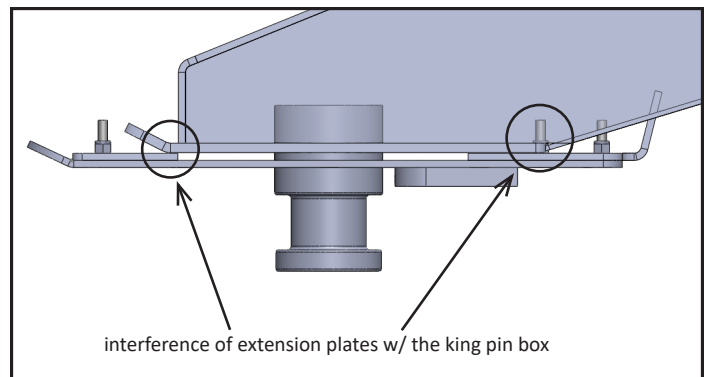


Figure 2

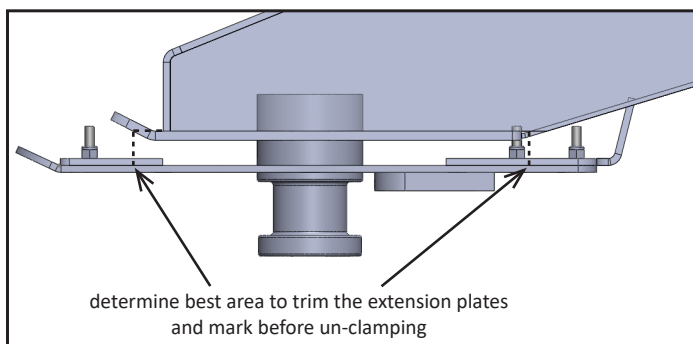


Figure 3

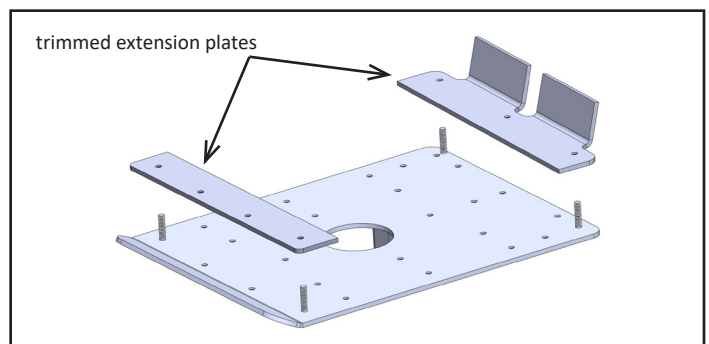


Figure 4

III. FOR KING PIN BOXES THAT ARE EQUIPPED WITH A KING PIN PLATE LESS THAN 12" FROM FRONT-TO-BACK *(cont.)*

8. Re-clip to the king pin box so the plate now sits **flush**.
9. Tack weld where the front extension plate meets the bend of your king pin plate in the front, making certain that the alignment is square allowing the Universal Capture Plate to be flush with the bottom of the king pin plate (see Figure 5).
10. Repeat Step 9 for the rear extension plate.
11. Remove the fasteners holding the extension plates onto the Universal Capture Plate.
12. Take the Universal Capture Plate away from the extension plates so you can prepare to permanently weld the extensions to the king pin plate (see Figure 6).
13. Weld the trimmed extension plates to the king pin plate, making certain that the Universal Capture Plate can be refastened flush against the bottom of the king pin plate. Bend the rear tabs against the bottom angle of the king pin box as needed. (see Figure 7).
14. When the welding procedure is complete, grind the welds smooth in preparation for the permanent attachment of the Universal Capture Plate.
15. Re-attach the Universal Capture Plate, using the bolt pattern as shown in Figure 8. A *minimum* of 10 bolts should be added when applicable.
16. When adding front extension plates to the king pin plate, it becomes necessary to strengthen the integrity of the welds, by adding knee braces. Go to Page 3 and follow Steps 8 & 9 for installation instructions.

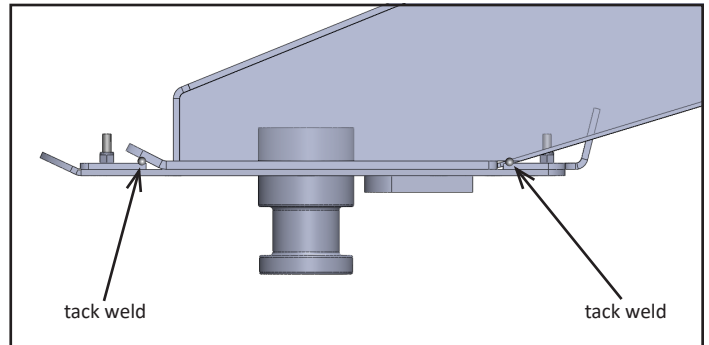


Figure 5

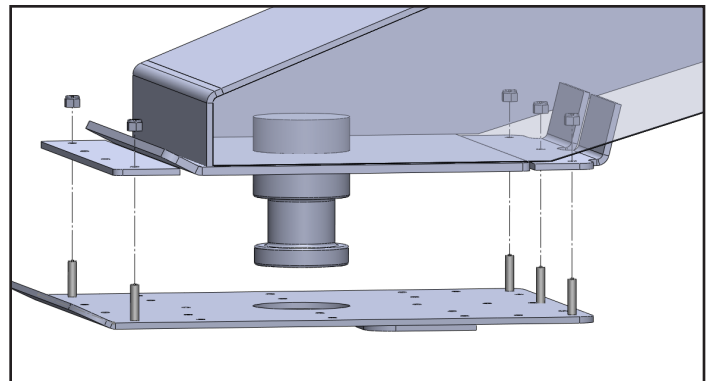


Figure 6

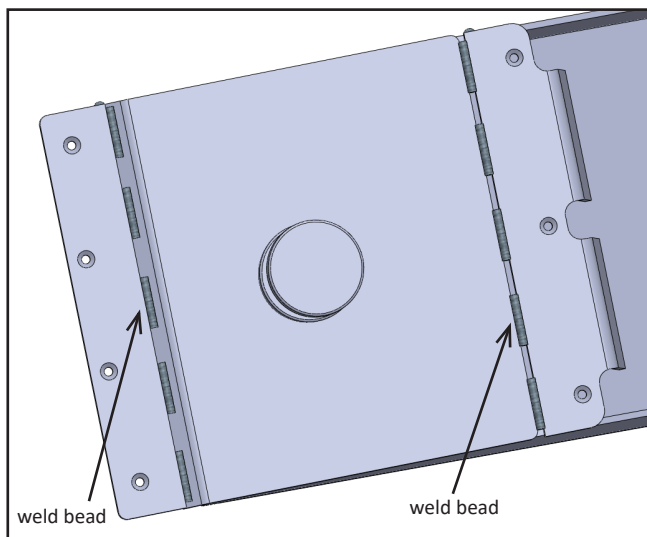


Figure 7

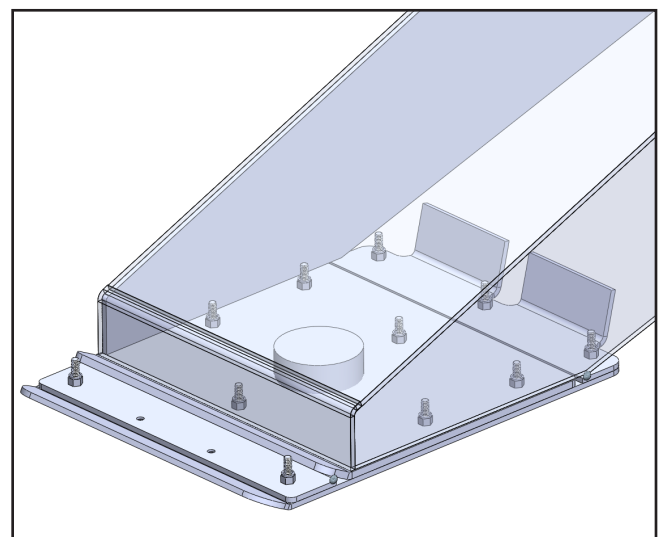
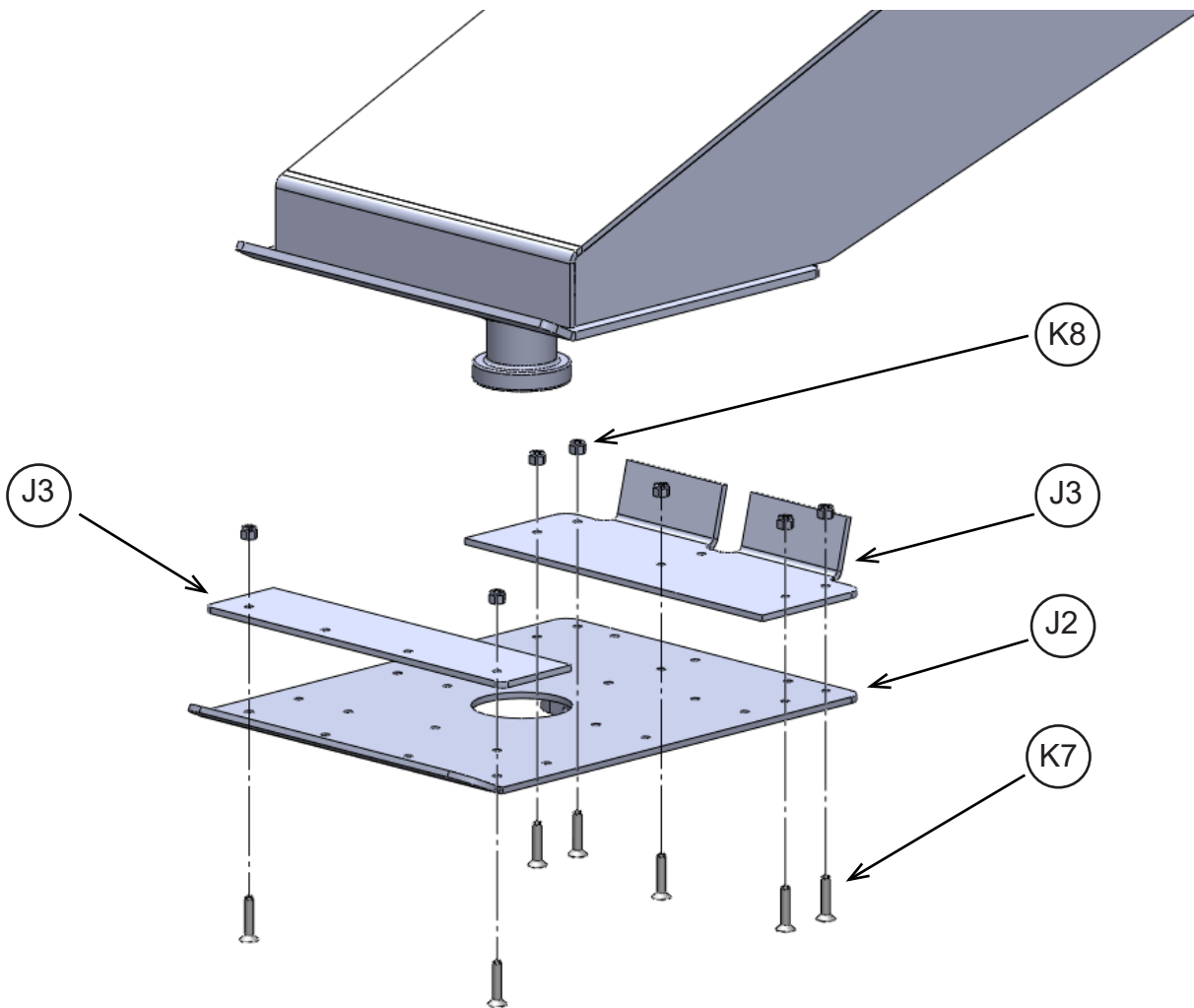
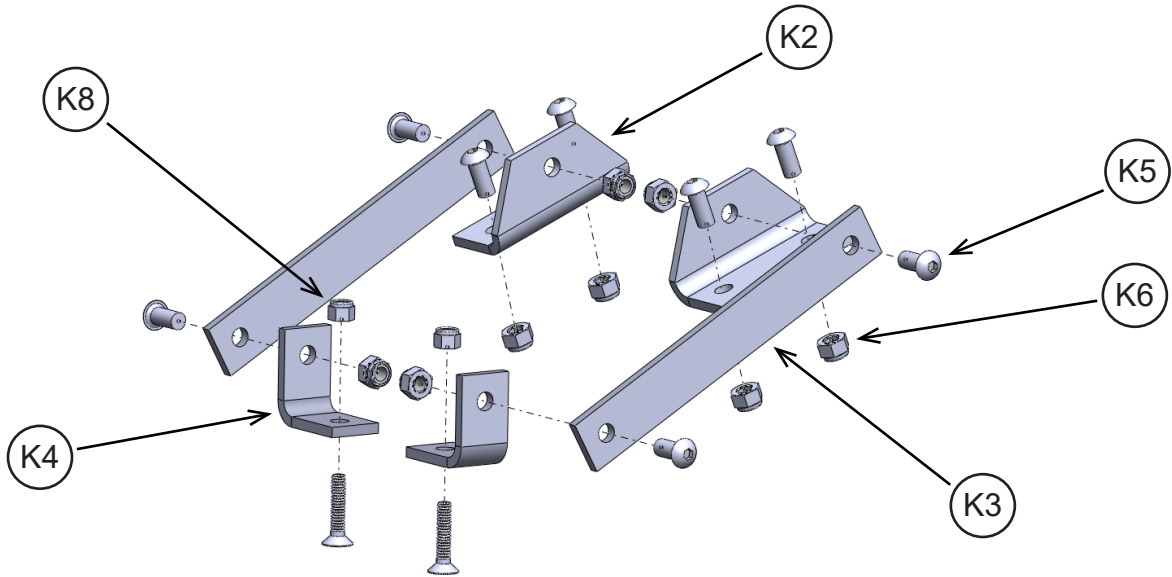


Figure 8

UNIVERSAL CAPTURE PLATE PART IDENTIFICATION



PARTS LIST

#3317 — UNIVERSAL CAPTURE PLATE KIT

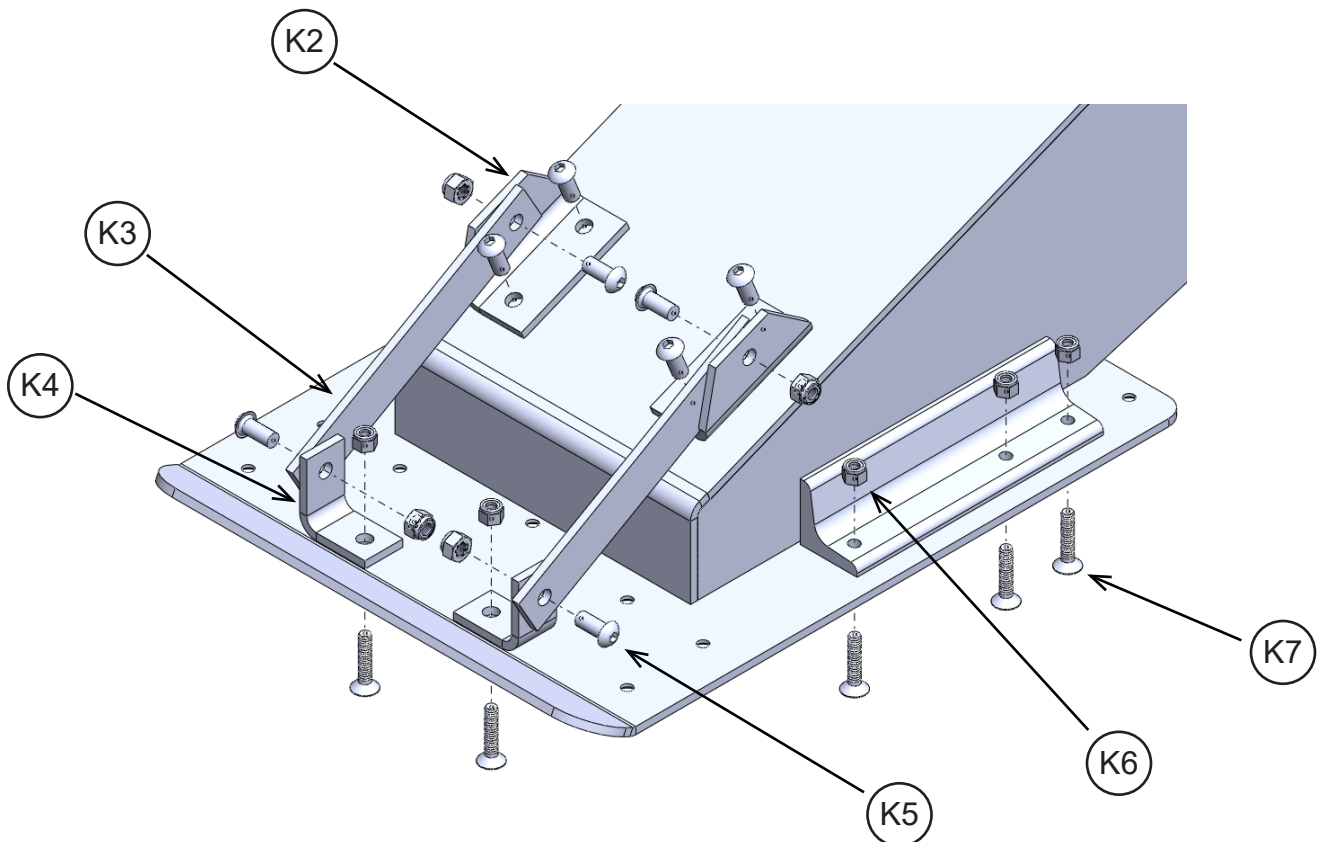
Item	Description	Part No.	Qty.	Material
J2	UNIVERSAL CAPTURE PLATE	331701	1	
J3	EXTENSION PLATES	331703	1	
	CAPTURE PLATE HARDWARE KIT	331702	1	(SEE CONTENTS BELOW)

#331702 — CAPTURE PLATE HARDWARE KIT

Item	Description	Part No.	Qty.	Material
K2	SUPPORT ANGLE	35170002	2	3/16" x 1-1/2" x 1-1/2" ANGLE
K3	SUPPORT BAR	35170003	2	3/16" x 1" FLAT
K4	SUPPORT "L" BRACKET	35170004	2	3/16" x 1" FLAT
K5	SUPPORT BRACKET BOLTS	98010243	8	5/16" - 18 x 3/4" BOTTON HEAD CAP SCREW
K6	SUPPORT BRACKET NUTS	98150202	8	5/16" - 18 NYLOCK NUT
K7	CAPTURE PLATE MOUNTING BOLTS	98010240	10	1/4" - 20 x 1" FLAT HEAD ALLEN SCREW
K8	CAPTURE PLATE MOUNTING NUTS	98410255	10	1/4" - 20 NYLOCK NUT

II. FOR KING PIN BOXES WITH A KING PIN PLATE THAT IS FLUSH WITH THE KING PIN BOX ON EACH SIDE

1. Place the Capture Plate {J2} over the King Pin, with the guide wedge towards the rear of the trailer (wedge facing down), and hold in place to prevent movement.
2. The Capture Plate can be secured to the King Pin Box sides by welding angle iron (*not provided*) supports to the King Pin Box, or use the Extension Plate procedure in Section III on the following page.
3. Mark holes for drilling through the Capture Plate onto the welded angle iron supports.
4. Mark additional holes for drilling through the bottom of the king pin plate so the fasteners used on the angle iron supports and the body of the king pin plate include at least a minimum of 10 bolts.
5. Remove the Capture Plate or use it as a guide to drill $\frac{1}{4}$ " holes through the king pin box and the angle iron supports.
6. Reinstall the Capture Plate.
7. For the holes where you cannot reach the inside nose of the king pin box, drill holes with a #8 drill and tap with a $\frac{1}{4}$ "-20 tap.
8. If the Capture Plate extends beyond the King Pin Box, then install the Knee Braces as shown in Figure 2. These fasteners do not count as part of the minimum number of bolts required.
9. Use the $\frac{1}{4}$ " bolts provided, to secure the Capture Plate. A minimum of 10 bolts must be used to fasten the Capture Plate on. Make certain all the bolts are flush with the trailer plate. Fasteners that are installed at an angle catch and "drag" on the 5th wheel plate surface, weakening the integrity of the fastener.





MANUFACTURED BY:
PULLIAM ENTERPRISES, INC.
13790 East Jefferson Blvd.
Mishawaka, IN 46545
(574) 259-1520 • (800) 443-2307
info@pullrite.com • www.pullrite.com