



ISR Series High Profile Foot Kit Installation

(Part #2708)

As of July 2014, #2700, #2900 & #2300 ISR Series SuperGlides are shipped with a standard ISR foot kit #2911.

If you need to raise the height of the hitch head in order to help level the trailer, or to achieve more bedside clearance, it may be necessary to replace the standard foot kit with this #2708 High Profile Foot Kit. This will give you an additional 1-1/2" in height.

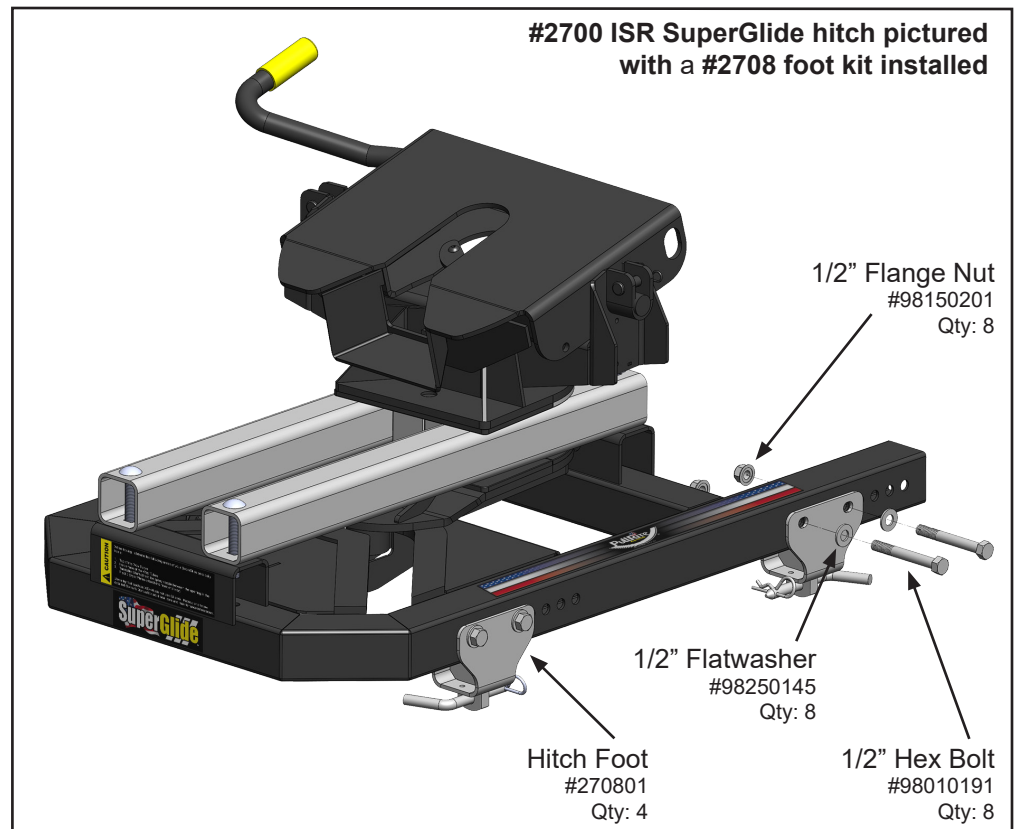
Please contact our Customer Service Department at (800) 443-2307 with any questions.

NOTE: Before proceeding, read your ISR Series SuperGlide Owner's Manual completely, verifying base hole locations in the "Base Rail Foot Assembly" section as it relates to your truck and trailer.

1. To swap out Foot Kits, simply remove and discard the old hardware, and reinstall the new Hitch Feet with the *new* hardware provided.

IMPORTANT: Both Foot Kits use the same hardware, but *must be replaced with new hardware* when a new or replacement Foot Kit is ordered.

2. Torque the 1/2" bolts to 75 foot pounds.



NOTE: Hitch pins and clips are pictured (*top right*) as fully assembled, but are *not* replaced when swapping out Foot Kits.