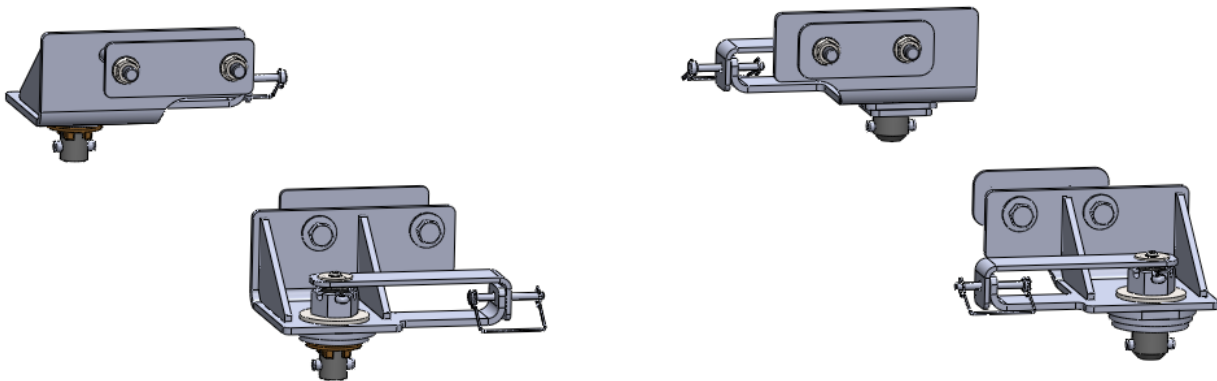




DODGE RAM #4450 OE Puck Mounting Bracket Kit for SuperGlide #2300



Gross Trailer Weight (Maximum) 24,000 lbs.
Vertical Load Weight (Max. Pin Weight)6,000 lbs.

SYSTEM TOW CAPACITY

Please note, in order to determine the total tow capacity of a system, you must consider the weight ratings of each component in that system. This includes, but may not be limited to, the capacity/rating of the tow vehicle, the fifth wheel hitch, and the hitch's mounting system. Actual tow capacity of the system will be equal to the lowest rated component.

Installation Instructions

SPECIFICATIONS

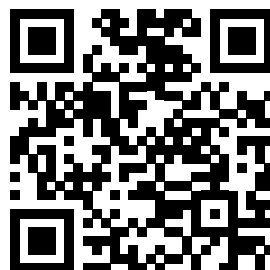
- Fits 2013-2019 Ram trucks with the OE 5th wheel hitch puck system
 - Attaches to Superglide model #2300
- Custom Mounting Bracket Kit (Bracket & Hardware) #4450

TABLE OF CONTENTS

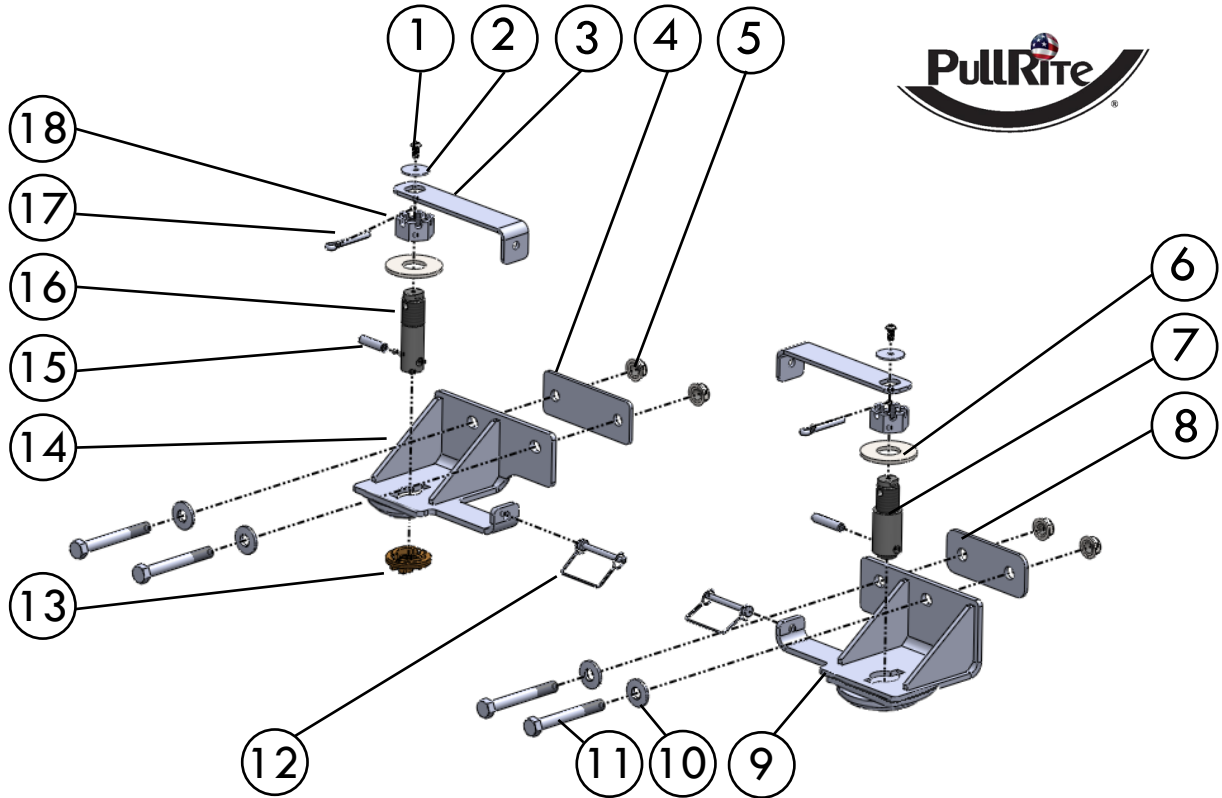
MOUNTING KIT EXPLODED VIEW / MOUNTING KIT PARTS LIST.....	3
ATTACHING KIT TO HITCH.....	4
BUILDING THE POST ASSEMBLY.....	5
INSTALLING HITCH INTO THE TRUCK BED.....	6-7



WATCH PULLRITE PRODUCT VIDEOS
ON OUR YOUTUBE CHANNEL HERE.



PARTS LISTING FOR KIT

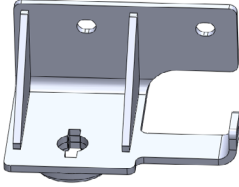


NO.	DESCRIPTION	PART #	WITH KIT
1	BUTTON HEAD SOCKET CAP SCREW	98410242	4
2	LOCK HANDLE WASHER	98250150	4
3	LOCK HANDLE	44500601	4
4	BACKING PLATE	44490105	4
5	SERRATED FLANGE NUT 1/2"-13	98150201	4
6	FLAT WASHER 1"	98250100	4
7	REAR FOOT POST	44500901	2
8	REAR BACKING PLATE	44480107	4
9	REAR DRIVER SIDE BRACKET	44500301	1
*	REAR PASSENGER SIDE BRACKET (opposite side, not pictured)	44500401	1
10	CONICAL SERRATED WASHER 1/2"	98200172	8
11	HEX HEAD BOLT 1/2"-13 X 4"	98010191	8
12	BAIL PIN	98410529	4
13	BRASS PUCK WASHER	13070001	2
14	DRIVER SIDE FRONT BRACKET	44500101	1
*	PASSENGER SIDE FRONT BRACKET (opposite side, not pictured)	44500201	1
15	SLOTTED SPRING PIN 3/8" X 1 3/4"	98410524	4
16	FRONT FOOT POST	44480701	2
17	COTTER PIN 1/4" X 2"	98410567	4
18	CASTLE NUT 1"-14	98150121	4

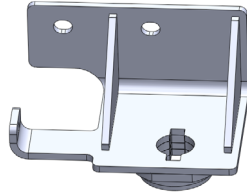
ATTACHING KIT TO HITCH

Be aware that all of the brackets are different. Note that the passenger side post holes feature two adjustable screws.

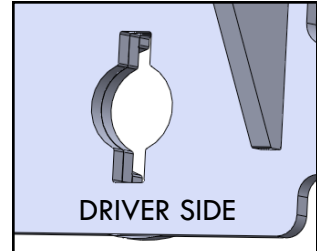
DRIVER SIDE FRONT



DRIVER SIDE REAR

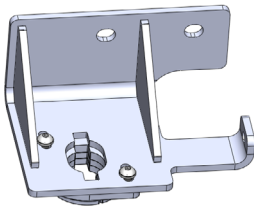


POST HOLE DIFFERENCE

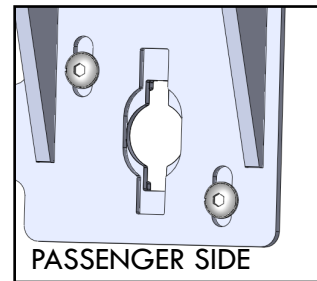
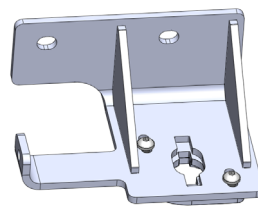


DRIVER SIDE

PASSENGER SIDE REAR

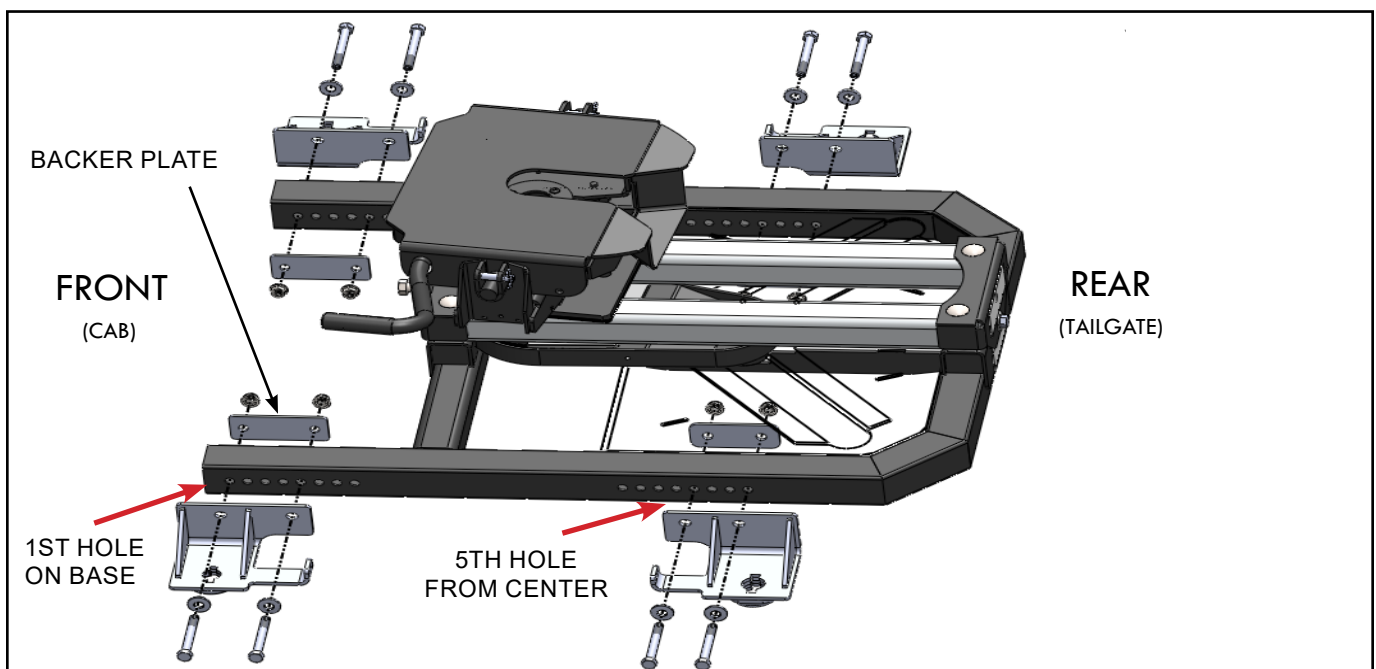


PASSENGER SIDE FRONT



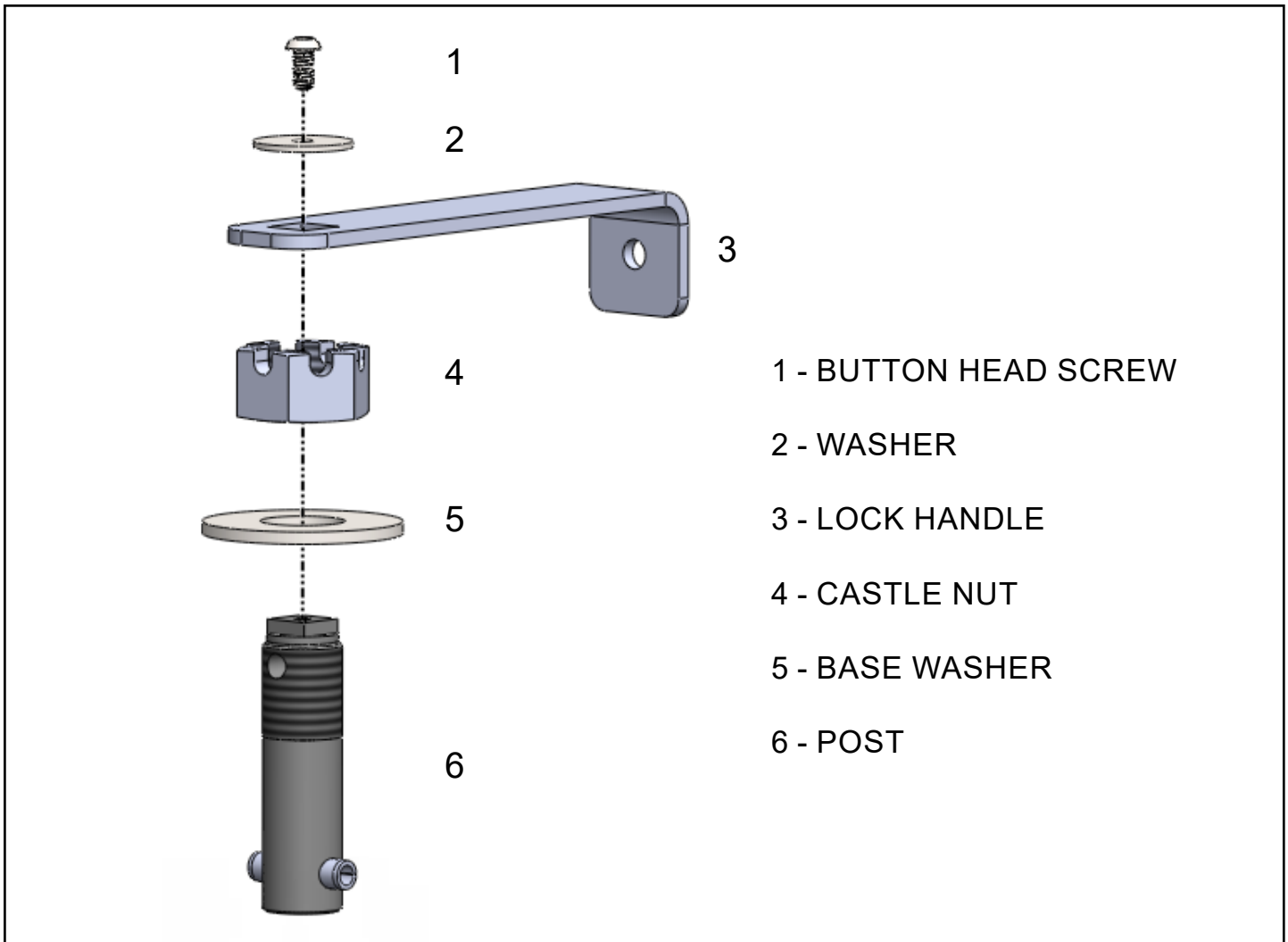
PASSENGER SIDE

1. Place the brackets on the #2300 SuperGlide base with Backer Plates and attach each using (2) 1/2"-13 X 4 Hex bolts, (2) 1/2"-13 serrated flange nuts, and (2) Conical serrated washers (place serrated teeth facing the bracket).
Attach the Driver Side Front Bracket starting at the first hole on the SuperGlide base (See Below). Then attach the Driver Side Rear Bracket starting at the fifth hole from the center of the SuperGlide base. Repeat when attaching the Passenger Side brackets
2. Hand tighten all hex bolts at this point. Keep them a little loose for an easier Install.



BUILDING THE POST ASSEMBLY

Build the (4) post assemblies used for clamping hitch to the bed of the truck.



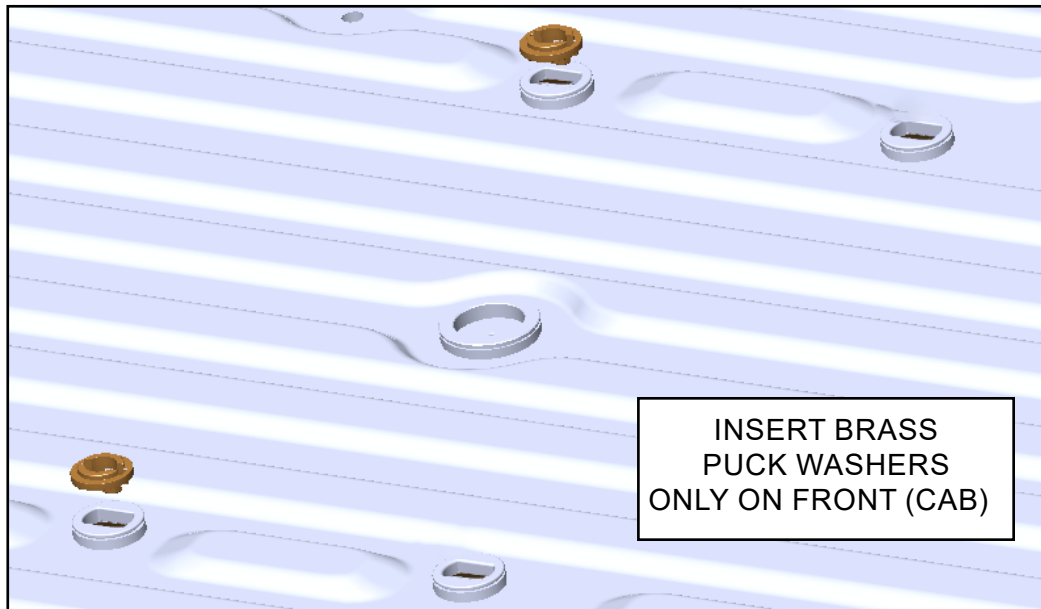
1. Place the Base Washer down on the Post.

2. Thread Castle Nut onto the Post.

3. Take the Lock Handle and place on top of the Post, the handle cut-out fits down over square top on Post. Add the Washer and Button Head Screw and tighten with an 3/16 hex key.

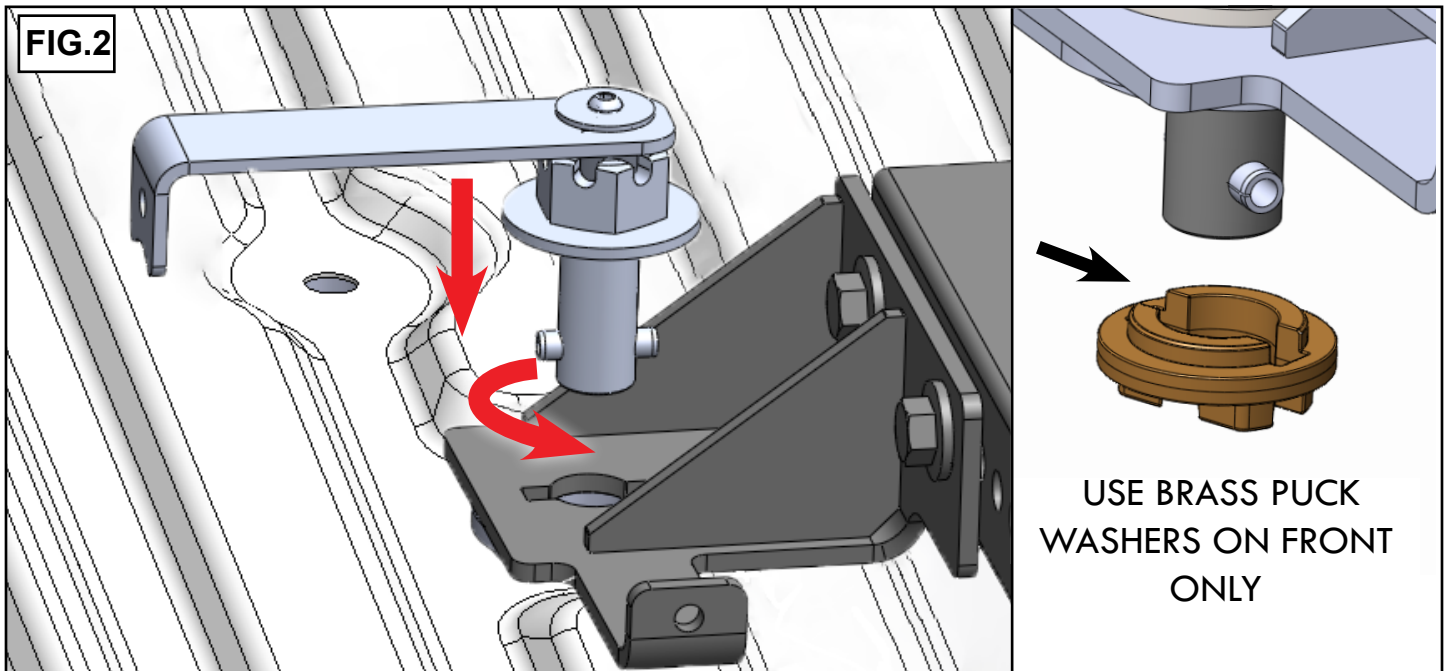
INSTALLING THE HITCH

FIG.1

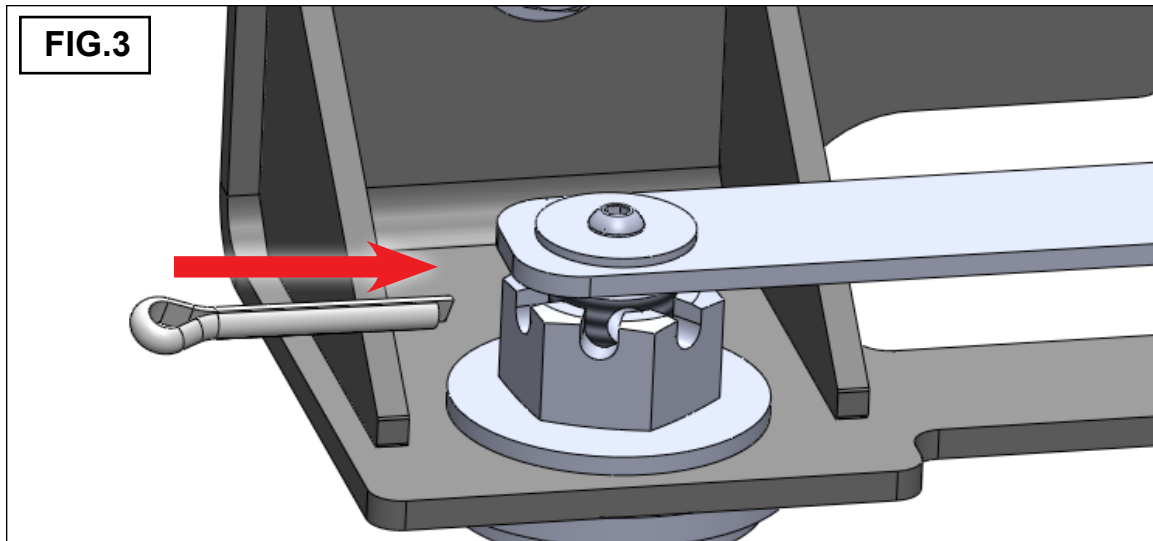


1. Place the (2) Brass Puck Washer in the front side *OE* pucks on truck bed (FIG.1). They should easily fit into the puck. In some instances, It may be necessary to lightly file the Brass Puck Washers to get them to fit as puck tolerances may vary.
2. Place the hitch over the seated Brass Puck Washers and rear pucks.They should all be visible through the post holes on brackets.
3. Starting with the front driver side, take a Post Assembly and insert into the Brass Puck Washer in an open position as shown (FIG.2). Press and turn 90 degrees inward to the Lock Tab. At this point, tighten the Castle Nut on the Post Assembly just a few turns until it is firm.

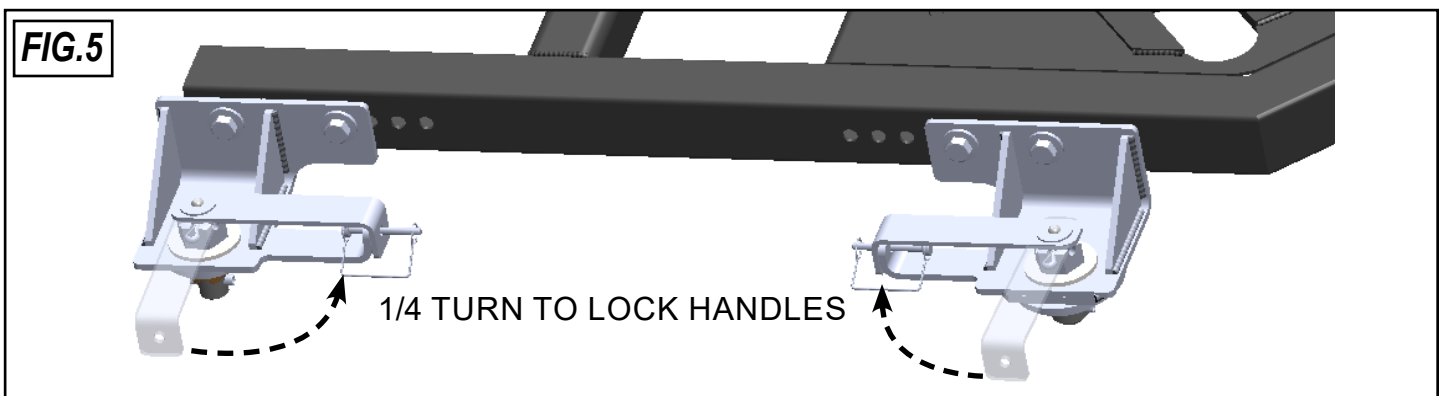
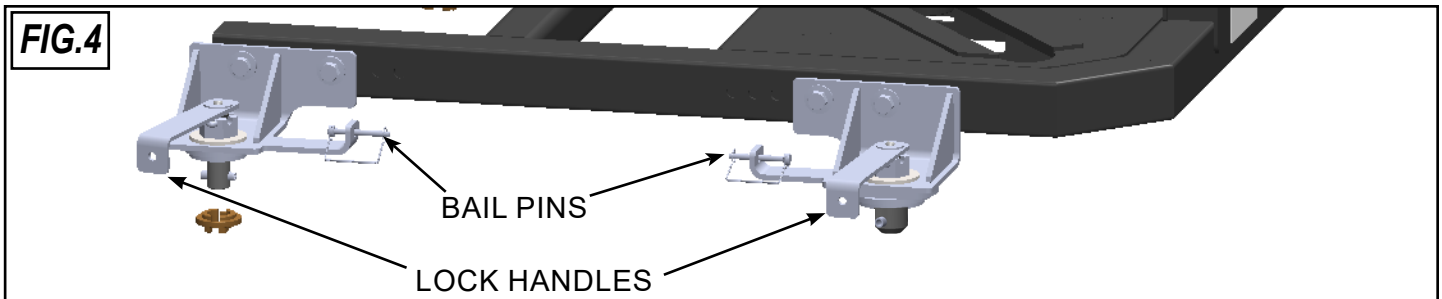
FIG.2



INSTALLING THE HITCH



4. Feed the Cotter Pin through the Castle Nut and pre-drilled hole in the side of the Post (FIG.3). Bend ends of cotter pin to prevent it from sliding out. Repeat this step with the other Post Assemblies.
5. Align Lock Handles with hole in the Lock Tab (FIG.5). and place Bail Pins through each hole, snap bail pin to lock.
6. Tighten all 1/2"-13 X 4" Bracket Hex Bolts to 75 foot pounds.





Manufactured by

PULLIAM ENTERPRISES, INC.
13790 East Jefferson Blvd. Mishawaka, IN 46545
(800) 443-2307
www.pullrite.com