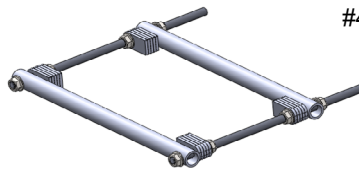


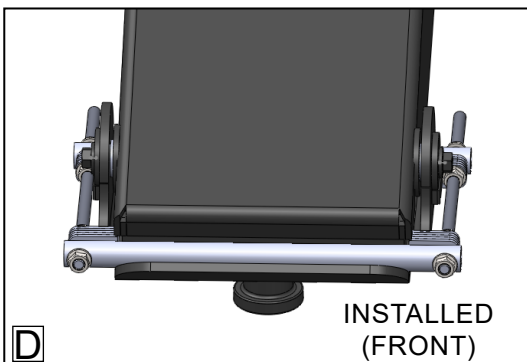
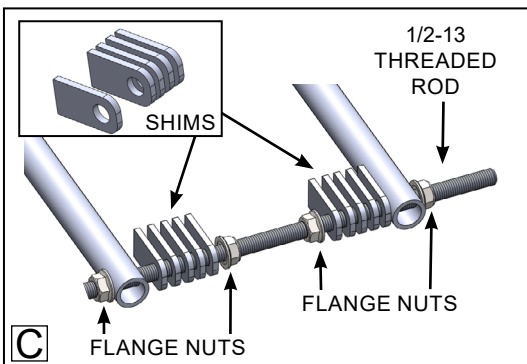
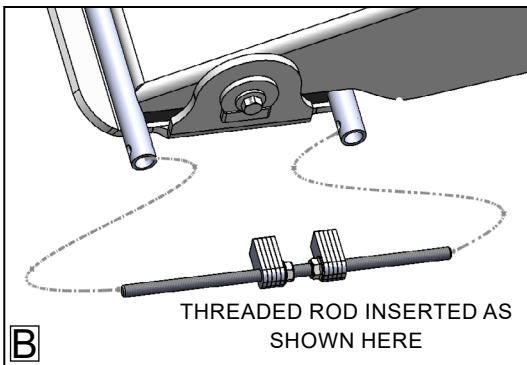
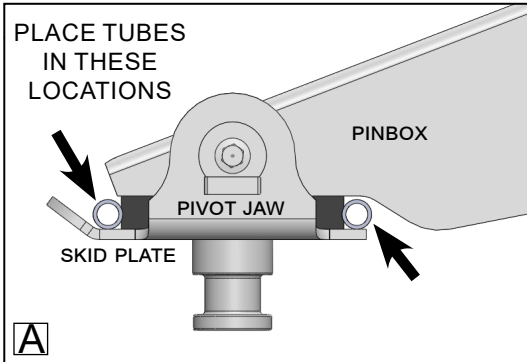


#4446 PINBOX RUBBER ISOLATOR KIT

For use with PullRite model hitches #2400 and #2600 on a Rota-Flex pinbox to restrict movement of the rubber block.



#4446 PINBOX RUBBER ISOLATOR



INSTRUCTIONS TO INSTALL THE KIT

1. Install tubes. Place one tube in front of the pivot jaw, centered side to side and resting on skid plate {fig. A}. Slide the other tube in between the pinbox and skid plate at the rear of the pivot jaw. Align the pre-drilled holes in both tubes, front to back.
2. Apply a flange nut onto one threaded rod, making sure the flange is facing outward from the rod's center. Spin the flange nut to roughly the middle of the threaded rod. Place (5) shims onto the rod {fig. B}. Repeat this process for opposite end of the threaded rod.
3. Insert threaded rod end into the hole on the inside of the back tube, and then slide into the holes on the front tube {fig B} with enough thread protruding to screw on a flange nut facing inward. Screw on another flange nut facing inward on the opposite end of rod. Repeat this step and step # 2 with the threaded rod for the opposite side of the pinbox. Note the order of the hardware {fig.C}.
4. Rotate the shims so that they are resting on the skid plate between pivot jaw and tubes. Tighten the inner and outer flange nuts on one end with two open end wrenches until they are snug against the tubes. Repeat on other end and opposite side.
5. Inspect to make sure unit is tight overall.
6. Torque 1/2-13 flange nuts to 47 foot lbs.

A properly Installed kit should be tightly braced and will look like {fig. D} and {fig. E} below.

