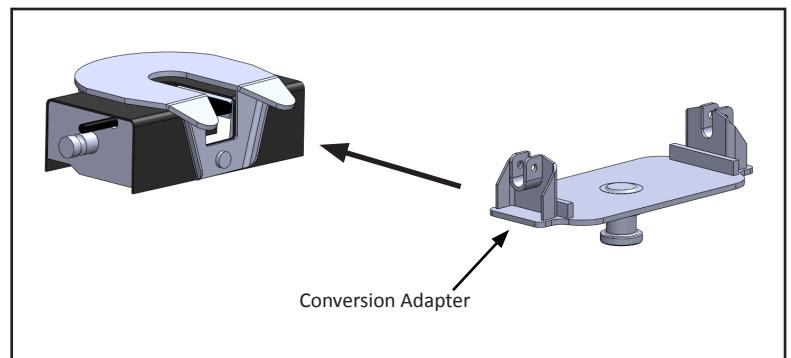




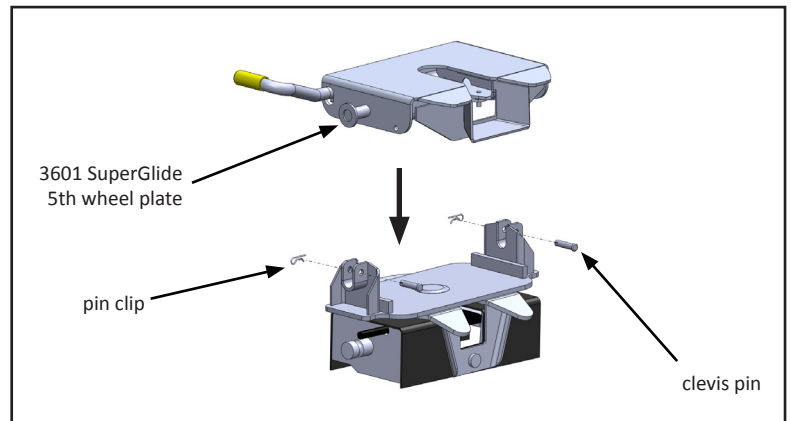
## #3336 Conversion Adapter

This adapter will allow your trailer to be pulled by a non-SuperGlide hitch *when used in conjunction with the head of your SuperGlide. Sold separately (#3336)*

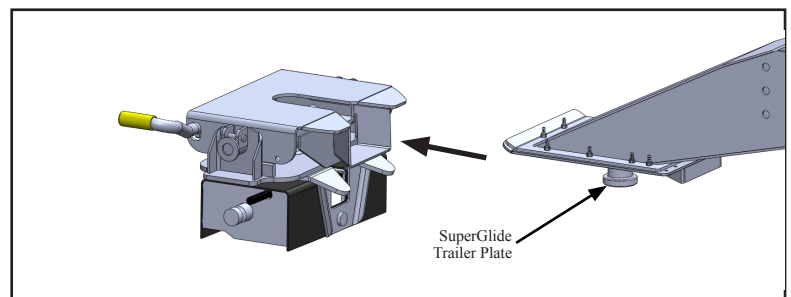
1. Remove the SuperGlide Fifth Wheel plate (part# 3601) from the SuperGlide hitch by removing both 1/2" x 2" clevis pins (part #98410111) and pin clips (part #98410127).
2. Slide the SuperGlide Conversion Adapter onto the 5th wheel plate of the "brand X" hitch as seen in Step 1, making certain the Conversion Adapter is securely locked into place.
3. Insert the SuperGlide Fifth Wheel Plate (your SuperGlide hitch head) into the Conversion Adapter "cradles," and secure with the 1/2" x 2" clevis pins and clips.
4. The Conversion Adapter allows the king pin to turn in the conventional style hitch when hooked up to the trailer equipped with a SuperGlide Capture Plate.



Step 1



Step 2



Step 3

**NOTE:** Hook-up *must* be performed in a straight line.



MANUFACTURED BY:  
PULLIAM ENTERPRISES, INC.  
13790 East Jefferson Blvd.  
Mishawaka, IN 46545  
(574) 259-1520 • (800) 443-2307  
info@pullrite.com • www.pullrite.com