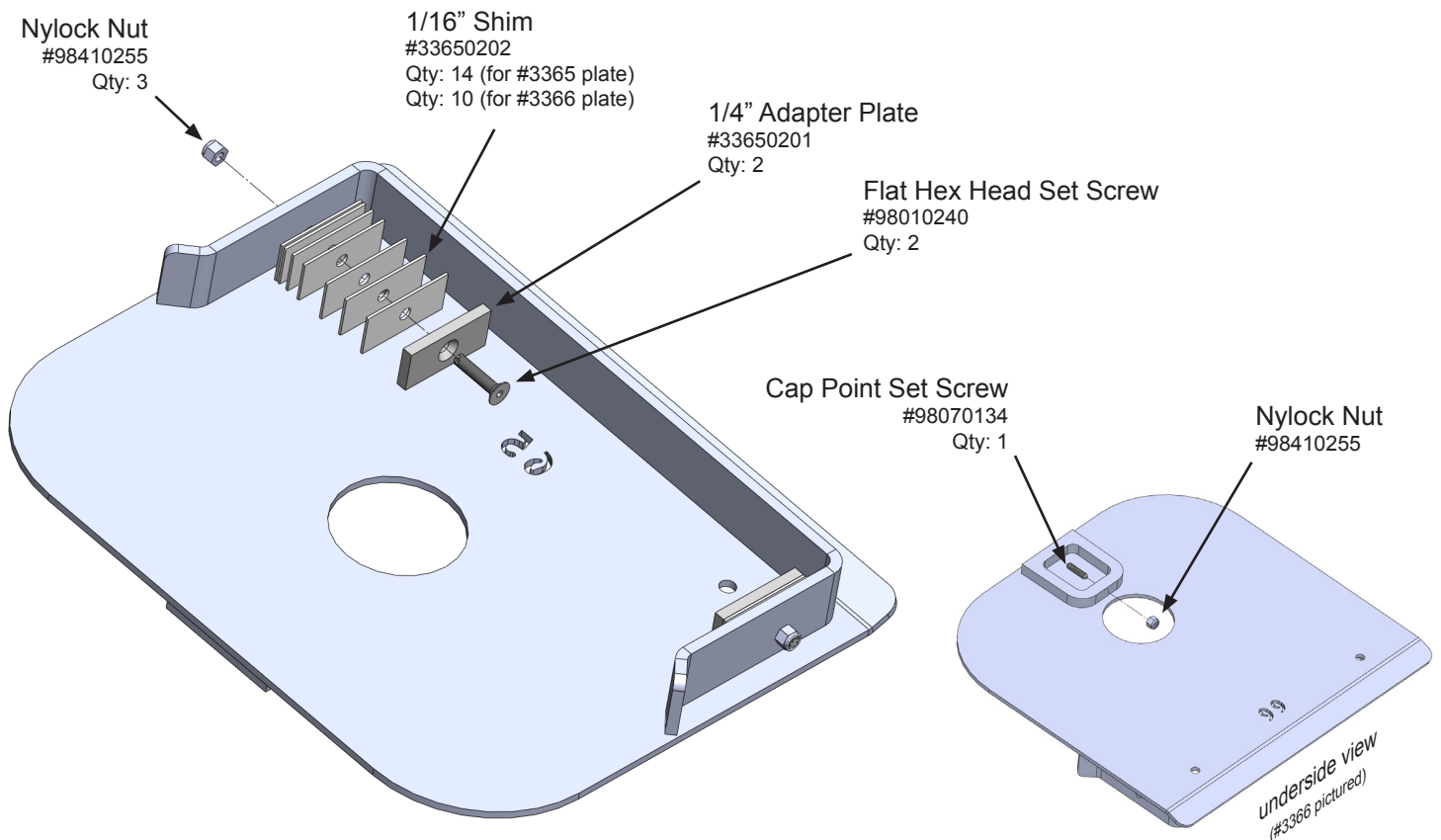




# Quick Connect Capture Plate Multi-fit

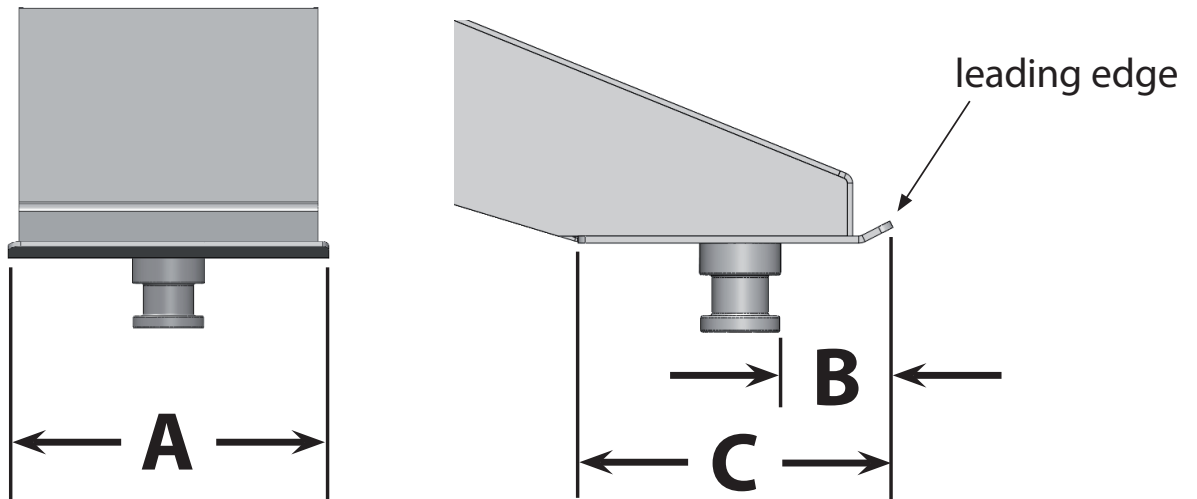
(Part #3365 / Part #3366)

1. Measure the width of the king pin box to determine the number and size of shims you will need. SEE REVERSE FOR INSTRUCTIONS ON MEASURING YOUR KING PIN BOX.
2. Insert the flat hex head set screw in the 1/4" adapter plate, using an equal amount of 1/16" shims on each side of the Capture Plate (#3365 pictured below) to fill the gap between the king pin box and the Capture Plate. (If you still have a little gap when you put the Capture Plate on the pin box, you can add only one extra shim on one side).
3. Insert the bolt through the hole in the side of the Capture Plate and tighten the nylock nut onto the bolt.
4. Insert the 1/4" socket set screw into the threaded hole of the Capture Wedge (point of screw toward the king pin hole) and place the nylock nut on the point side of the set screw (see underside view below).
5. Slide the Multi-fit Capture Plate onto the king pin of your trailer with the shims, capturing the front of your pin box.
6. Hold the Capture Plate tight against the bottom of the pin box's skid plate and tighten the set screw to the trailer's king pin, tightening the set screw nut up to the wedge to lock in place.



# QuickConnect CAPTURE PLATE

## Multi-fit Capture Plate Fit Chart



QuickConnect Capture Plate Sizing Chart			Measurement A	Measurement B	Measurement C
King Pin Box Manufacturer	PullRite #	King Pin Box Model #	CAUTION: Measurement cannot be smaller than noted below. (see above diagram)	TIP: Use straight edge when measuring to the leading edge of pin box. (see above)	TIP: Use straight edge when measuring to the leading edge of pin box. (see above)
Multi-fit Capture Plate	3365	(see measurements)	12-3/4" through 13-1/2" and 14"	2-3/8" — 4"	ALL
Multi-fit Capture Plate	3366	(see measurements)	12" through 12-1/4" and 12-3/4"	5-3/16" — 6-5/8"	ALL