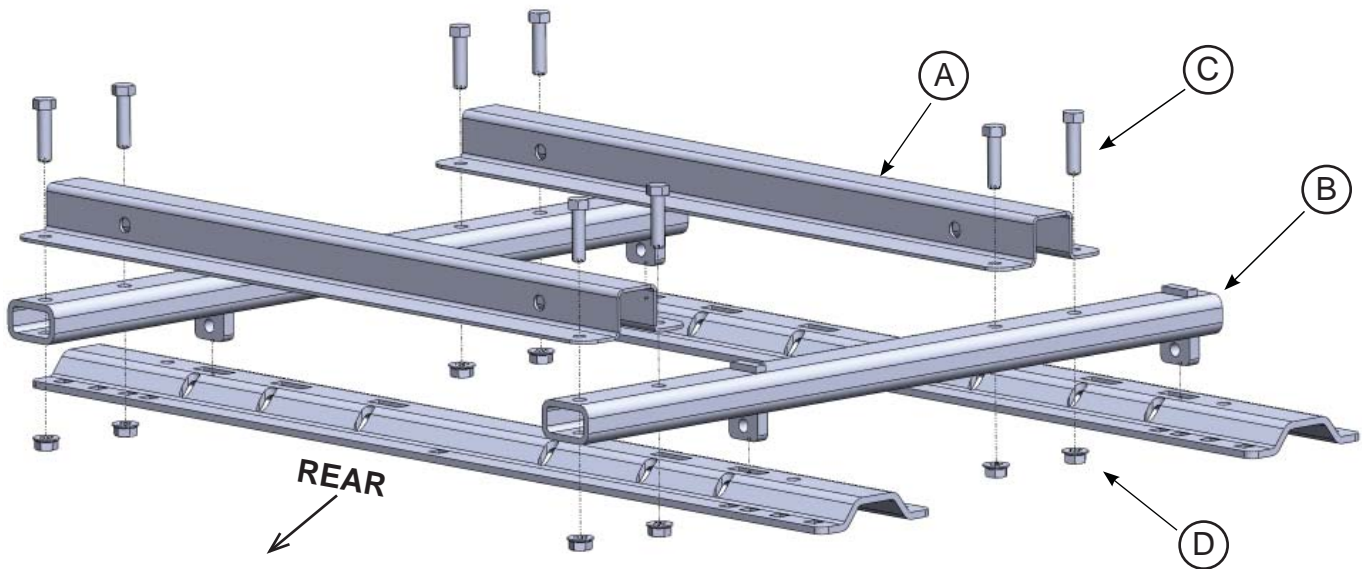




# Industry Standard Rail Adapter

## #4409

1. Check the Parts List quantities below before you begin. Call PullRite Towing Systems at (800) 443-2307 to report any shortage.
2. Remove the existing hitch from the truck.
3. Bolt the SuperGlide Base Rails {A} loosely onto the SuperGlide Attaching Rail Assembly {B}.
4. Install the above assembly onto your existing base rails and secure by using the base rail pins that fit your current rails. The overhang on the SuperGlide Base Rail Assembly should extend toward the rear of the truck.
5. Install the SuperGlide hitch onto the Base Rails {A}, using the Base Rail Pins provided with your SuperGlide Hitch. For complete instructions on installing the pins and clips, visit our website at [www.pullrite.com](http://www.pullrite.com) and refer to the SuperGlide Owners Manual.
6. Tighten all bolts to 75 foot pounds.



### PARTS LIST

Item	Description	Part No.	Qty.	Material
A	BASE RAIL	44090001	2	
B	ATTACHING RAIL ASSEMBLY	440901	2	
C	1/2" BASE RAIL BOLT	98010177	8	1/2" - 13 X 2-1/4" GRD #5
D	1/2" FLANGE NUT	98150201	8	1/2" - 13 FLANGE NUT