



SuperRail Installation Instructions

(1999-08 Chevy/GMC Light & Heavy Duty w/ 6' Bed—Bracket #3515)

* NOT 2004-05 1500 w/ 5'8" bed



IMPORTANT!

1. The SuperGlide's Way tubes are coated with SlipPlate® at the factory to provide lubrication for ONE TRIP ONLY. You will need to continue using the graphite-based lubricant SlipPlate® or a medium duty grease on the top and inward facing sides of the way tubes. Failure to properly lubricate (see *Operator Instructions for complete lubrication instructions*) the Way Tubes WILL cause galling between the metal of the Way Tubes and the Cam Arm Assembly. When movement of the Cam Assembly is stopped due to galling, damage to the hitch structure WILL take place, resulting in truck/trailer damage. Damages incurred due to lack of proper lubrication are NOT manufacturer defects and WILL NOT be considered a warranty issue. The trailer's king pin box must be equipped with a Capture Plate (Universal or Quick Connect) to allow the hitch to function properly.
2. The trailer king-pin must be kept even with /or forward of the foremost point of the trailer. See "Caution" and "figure 1" on pg. 3.
3. Trucks with bed liners may need a tall Mounting Post. See "NOTE" under item 3 of "Drilling the Bed" on pg. 11 for detail.
4. Read these instructions completely and follow them accurately. Should you have any questions, please call the factory at (800) 443-2307 for installation assistance.

Table of Contents

Caution	3
King Pin Capture Plate Installation	3-5
Hitch Parts List	6
Exploded View Hitch	7
Mounting Bracket Kit Parts List	8
Mounting Bracket Installation—Heavy Duty	9-12
Mounting Bracket Installation—Light Duty	13-15
Warranty	16

CAUTION

As a general rule, for the SuperGlide hitch to maintain proper clearance to the truck, the leading edge of the trailer (measured at the corner) should be even with the center of the king pin. (Figure 1). Most truck trailer combinations will allow 102" wide trailers if the king pin is located as described. Narrower trailers will allow the king pin to be "tucked" under the trailer over hang to some extent. Call PullRite technical support with trailer width, make and year of truck and distance the king pin is from leading edge of the trailer. 1-800-443-2307

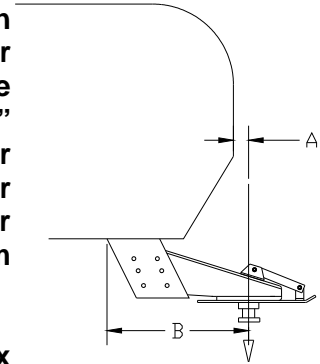


Figure 1

Using a trailer that has a long rear slope to the King Pin Box Hangar, "B" in (Figure 1), may cause damage to the trailer or truck bed during turns. Dimension "B" must be less than one half the width of the inside top edges of the bed. Please call PullRite technical support, 1-800-443-2307, if more information concerning this problem is needed.

The SuperGlide hitch is equipped with a side to side pivot feature. There should be a minimum of 6" between the truck bed rails and the under side of the trailer for side tilt clearance. It is the customers responsibility to adjust the trailer king pin box for the appropriate amount of clearance depending on the terrain being traveled (example: some State Parks are sloped and unpaved; some driveways are steeply angled). If bed covers are added, care must be taken to allow for additional clearance.

KING PIN CAPTURE PLATE INSTALLATION

The following instruction should be followed to install the king pin Trailer Plate.

FOR KING PIN BOXES WITH A FLANGE: (Figure 2).

1. Place the Capture Plate {J2} over the king pin, with the guide wedge towards the rear of the trailer (wedge facing down). Align the Capture Plate {J2} square with the king pin box and clamp in place to prevent movement.
2. Mark the holes for drilling through the Capture Plate {J2} onto the king pin box flange. Use holes that are located as far from the king pin as possible.
3. Remove the Capture Plate {J2} or use it as a guide and drill ¼" holes through the flange.
4. Re-install the Adapter Plate (as in step 1).

Use the ¼" bolts provided, to secure the Trailer Plate {J2} onto the king pin box flange. A **minimum of 10 bolts** must be used to fasten the plate on. For use with heavy trailers, more bolts will be needed to secure this plate. All flat head bolts should be flush or slightly below the surface of the Capture Plate so as not to score the hitch plate.

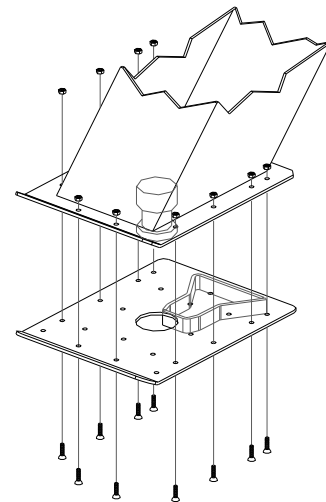


Figure 2

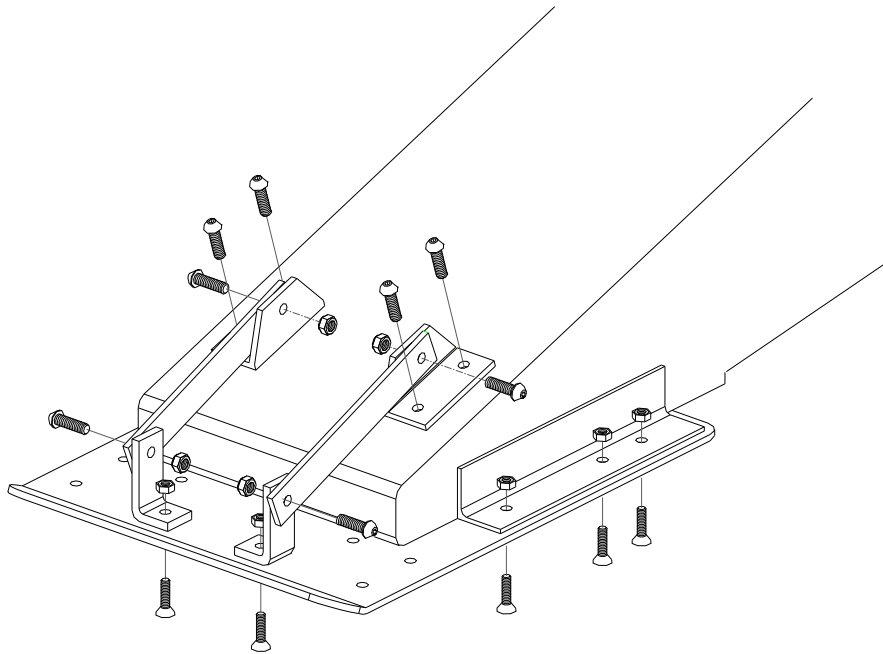
KING PIN CAPTURE PLATE INSTALLATION

FOR KING PIN BOXES WITHOUT FLANGES: (Figure 3)

1. Place the Capture Plate {J2} over the king pin, with the guide wedge towards the rear of the trailer (wedge facing down), and hold in place to prevent movement.
2. The Capture Plate {J2} can be secured to the king pin box sides by welding angle iron supports to the king pin box, or use the procedure in step 3. (Angle iron is not provided).
3. For the holes where you cannot reach the backside, drill holes with a #8 drill and tap with a ¼"-20 tap.
4. If the Capture Plate {J2} extends forward beyond the king pin box, then install the Knee Braces as shown in Figure 3.
5. Install the Capture Plate {J2}, using the ¼" bolts provided, to secure the Capture Plate {J2} onto the king pin box. A **minimum of 10 bolts** must be used to fasten the plate on. For use with heavy trailers, more bolts will be needed to secure this plate. **The bolts used to fasten the Knee Braces to the Capture Plate do not count as part of the number of bolts necessary to properly attach the Capture Plate to the king pin box.** All flat head bolts should be flush or slightly below the surface of the Capture Plate so as not to score the hitch plate .

NOTE: If more information is needed, please call PullRite at 1-800-443-2307.

Figure 3



FOR KING PIN BOXES THAT ARE SHORTER FRONT TO BACK: (Figure 4)

1. Place the Capture Plate {J2} over the king pin, with the guide wedge towards the rear of the trailer (wedge facing down), and measure the distance from the front and rear of the king pin box to the respective edges of the Capture Plate {J2} (to the bend of the Capture Plate {J2} in the front). Referring to Figure 4, fashion two plates, 3/16" to 1/4" thick, that will cover the holes of the Capture Plate {J2} showing in front and rear of the king pin box.
2. While the Capture Plate is in position under the king pin box, clamp these plates to both the front and rear of the Capture Plate {J2}. Remove the Capture Plate {J2} and drill matching holes in the two support plates with a 1/4" bit using the Capture Plate {J2} as a guide.
3. Fasten the two support plates to the Capture Plate {J2} with the 1/4" Bolts {K7} and Lock Nuts {K8} provided.
4. Replace the Capture Plate {J2} on the king pin box, check for square alignment and **weld** the support plates to the king pin box.
5. Attach the Knee Braces {K2,3 & 4} to the king pin box, the Capture Plate Knee Braces {k2} may have to be welded on if the interior of the king pin box is not accessible. The bolts used to fasten the Knee Braces to the Capture Plate do not count as part of the number of bolts necessary to properly attach the Capture Plate to the king pin box.

Note: Kit # 331703 consisting of pre drilled support plates are available from PullRite but are not part of the stock Capture Plate Kit. Kit # 331703 was designed to fit the 8"x12" Lippert pin box. This method of attaching the Capture Plate {J2} should allow **10 bolts** to be used.

CAUTION: When using kit #331703 on slightly larger pin boxes, it may be necessary to trim the plates for proper fit—when installed, the provided Capture Plate adapter (3317) should be flush against the bottom of the trailer's king pin plate.

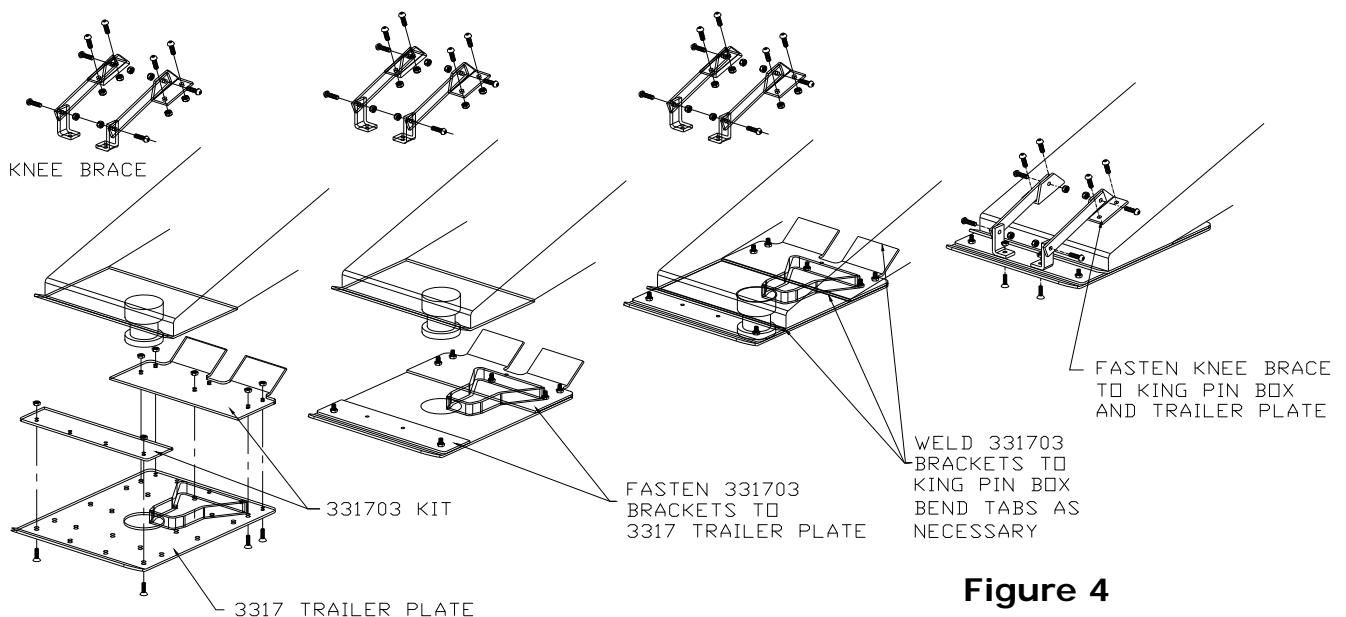


Figure 4

Parts Listing

<u>Item #</u>	<u>Assemblies / Kits</u>	<u>Number</u>	<u>Qty.</u>	<u>Material</u>
A1	5th Wheel Plate Asm.	3601		
B1	Rocker Arm Asm.	3502		
C1	Turntable Cam Arm Asm.	3603		
C2	Roller	6901	1	
C3	Lock Washer	98200124	1	3/4" Lock Washer
C4	Jam Nut	98150142	1	3/4" Nut
D1	Turntable Ways (Set)	3604		
E1	Forward Shaft Stop Asm.	3606		
E2	Nylon Stop Block	33050105	1	
E3	Bolt	98410238	1	1/4"-20 x 1 3/4" HHCS, GRD 2
E4	Flat Washer	98250130	2	1/4" Flat Washer
E5	Lock Washer	98200160	1	1/4" Lock Washer
E6	Nut	98150209	1	1/4"-20 Hex Nut
F1	Base Assembly	3305		
F2	Shaft Stop Set Screw	98010128	1	3/4"-10 x 2 1/2" HHCS
F3	Set Screw Jam Nut	98150131	1	3/4" -10 Hex Nut
H1	Hardware Kit	3610		
H2	Rocker Arm , Clevis Pin	98410111	2	1/2" x 2" Clevis Pin
H3	Clevis Pin Clip	98410127	2	#3 Cotter Pin
H4	Rocker Arm Pivot Bolt	140501	1	1" - 8 x 9 1/2" HHCS
H5	Pivot Bolt Lock Washer	98200115	1	1" Zinc Plated Split Lock Washer
H6	Pivot Bolt Hex Nut	98150120	1	1" - 8 SAE Zinc Hex Nut
H8	Rocker Arm Spring	35100001	1	16 GA Spring Steel
H9	Rocker Arm Spg Bolt	98010243	1	5/16"-18 x 3/4" Button Head Cap Screw
H10	Spring Bolt Lock Wash	98200159	1	5/16" Zinc Split Lock Washer
H11	Spring Flat Washer	98250160	1	5/16"-18 Flat Washer
H12	Way Tube Bolt	98010167	4	1/2"-13 x 1 1/2" HHCS GRD 5
H13	Way Tube Flat Washer	98250160	4	1/2" Flat Washer
H14	Way Tube Lock Washer	98200142	4	1/2" Lock Washer
H15	Way Tube Nut	98150153	4	1/2"-13 Hex Nut
J1	Universal Capture Plate Kit	3317 (sold separately)		(* denotes- included in Kit
J2	*Trailer Plate	331701	1	
K1	*Capture Plate Hdw. Kit	331702	1	
K1	Capture Plate Hardware Kit	331702		
K2	Support Angle	35170002	2	3/16" x 1.5" x 1.5" Angle
K3	Support Bar	35170003	2	3/16" x 1" Flat
K4	Support "L" Bracket	35170004	2	3/16" x 1" Flat
K5	Support Bracket Bolts	98010243	8	5/16"-18 x 3/4" Button Head Cap Screw
K6	Support Bracket Nuts	98150202	8	5/16" -18 Nylock Nut
K7	Capture Plate M Bolts	98010240	10	1/4" -20 x 1 1/4" Flat Head Allen
K8	Capture Plate M Nut	98410255	10	1/4" - 20 Nylock Nut

3600 EXPLODED VIEW

Figure 5

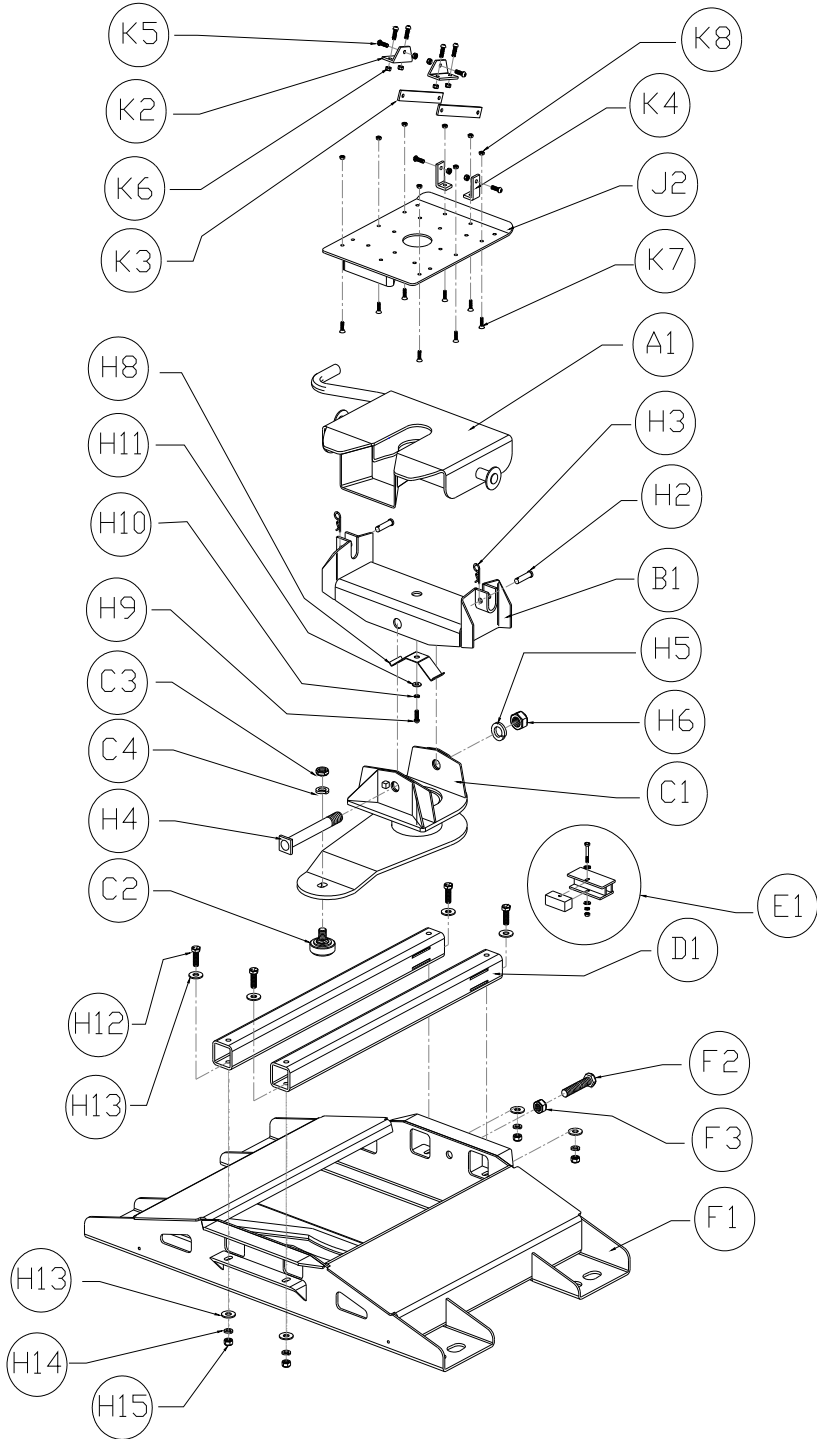
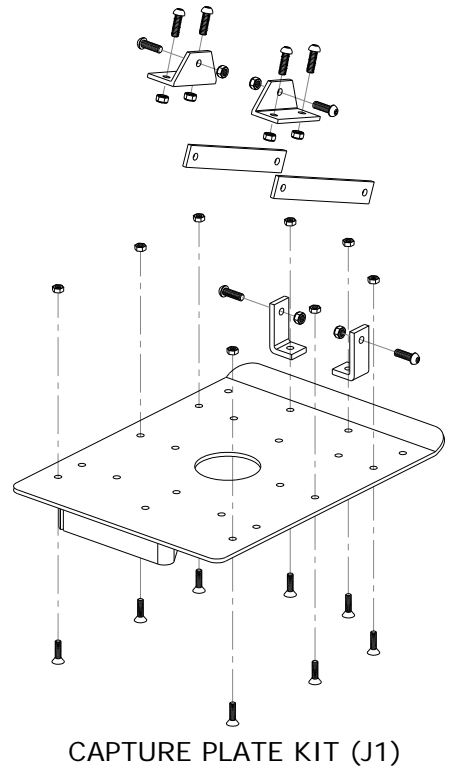


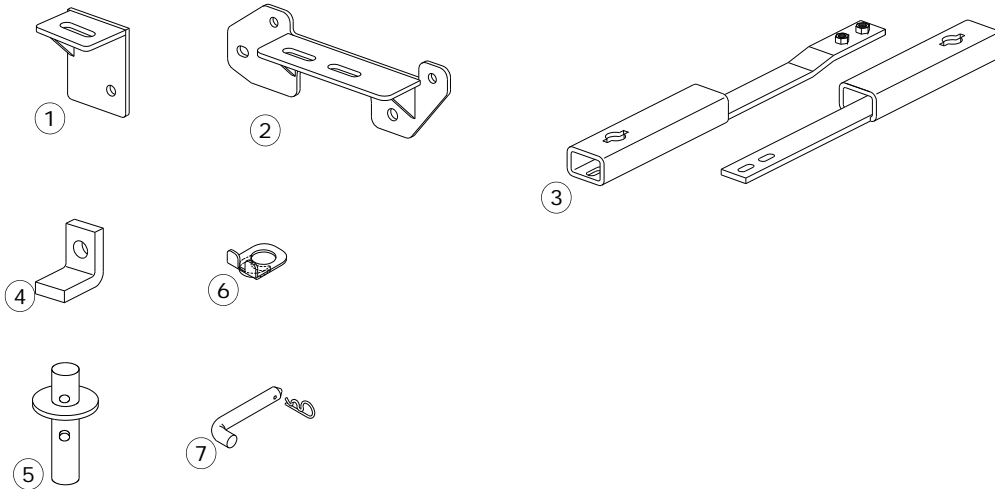
Figure 6



CAPTURE PLATE KIT (J1)

Mounting Bracket and Hardware Parts List

<u>Reference</u>	<u>Description</u>	<u>Quantity</u>
1	Front Mounting Brackets	2
2	Rear Mounting Brackets	2
3	Mounting Bracket Post Holders	4
4	Small Frame Clips (only 2 on HD installation)	4
5	Mounting Posts	4
6	Keepers	4
7	Keeper Pins and Clips	4
	1/2" x 4" Hex Head Bolts w/ nuts & lock washers	4
	5/8" x 1-1/2" Hex Head Bolts w/ nuts & lock washers	6
	1/2" x 1-1/2" Hex Head Bolts w/ nuts & lock washers	



3515 Mounting Bracket Installation For Heavy Duty

Truck Preparation

1. Check part quantities using the Parts List .
2. Raise the rear of the truck.
3. Remove the spare tire. Take out or loosen the back two rows of screws holding the exhaust heat shield.
4. Trucks with plastic bed liner: Make certain that the bed liner is centered in the bed before drilling. (Taller Mounting Posts may be necessary for proper installation over

Post Holder Installation

1. Slide the **drivers** side Front Post Holder (with weld nuts) over the frame just behind the gas tank. See Figure 1.
2. Slide the **passengers** side Post Holder (with slotted holes) between the bottom of the bed and the heat shield.
3. Connect the Post Holders in the center, positioning the 1/2" x 1-1/2" bolts, lock washers and flat washers from the bottom, up, finger tight. See Figure 3 on Page 9.
4. Position the **drivers** side Rear Post Holder to the cab side of the rivet located near the back bed sill, position the **passengers** side Post Holder to match drivers side location.
5. Push the post holders toward the axle to clear the way for drilling from the top of the bed.

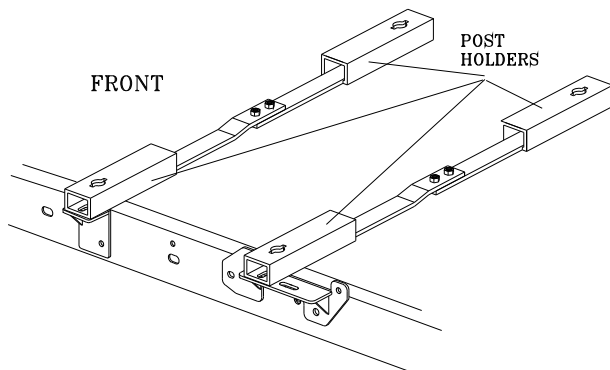


Figure 1

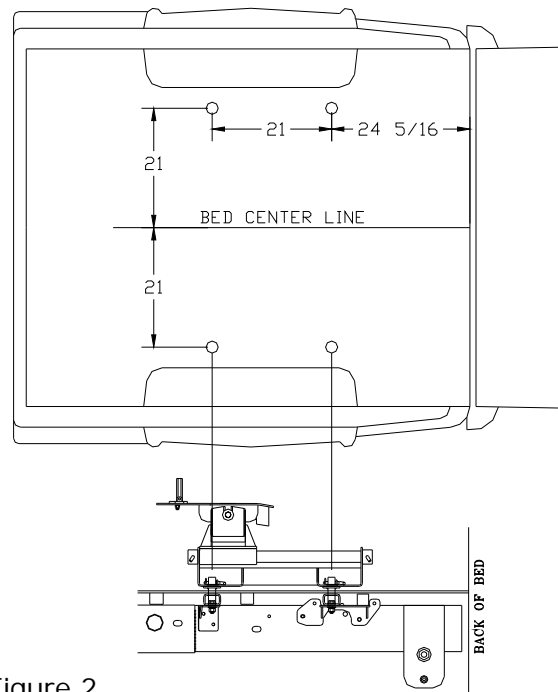


Figure 2

3515 Mounting Bracket Installation For Heavy Duty cont.

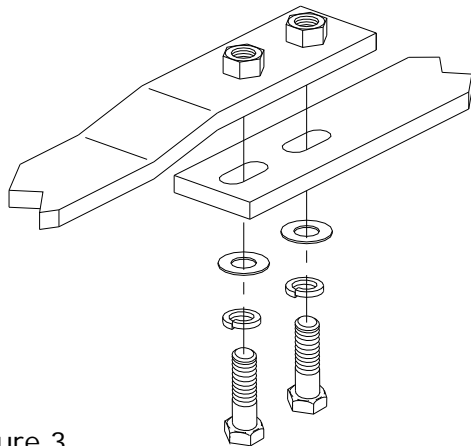


Figure 3

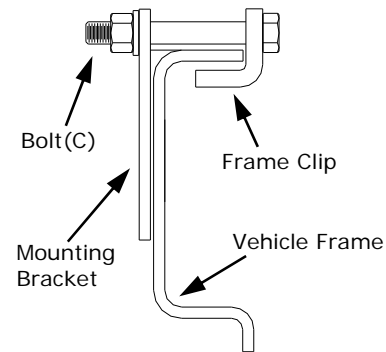


Figure 4

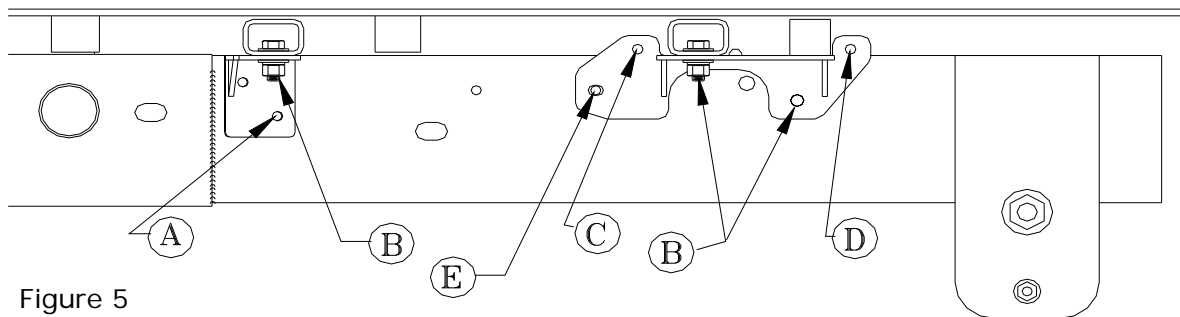


Figure 5

Marking the Rear of Bed for Drilling

1. Measure and mark, using a square at the back of the bed, forward **24-5/16"**. Do this at any point on both sides of the bed. See Figure 2 on Page 8 for example.
2. Draw a line across the bed from mark to mark.
3. Find the centerline of the bed. Draw a line down the middle of the bed from front to rear.
4. Measure out from the centerline 21" on each side at the rear of the bed and make a mark.
5. Drill a 1/16" pilot hole where the lines cross, beginning with the Driver's Side rear.
6. Push the Rear Post Holders rearward and position so the drill bit is centered through the Post Holder front to back. Don't worry about centering from side to side since the Post Holder can move in and out.
7. Mark and drill the Passenger's side pilot hole using the Driver's side dimension, taking any adjustments into consideration.

Marking the Front of Bed for Drilling

1. Measure and mark from the rear pilot holes forward 21" on both sides. See Figure 2 for example.
2. Draw a line across the bed from mark to mark.
3. Measure out from the centerline 21" on each side at the rear of the bed and make a mark.
4. Drill a 1/16" pilot hole where the lines cross.
5. Using a 2-1/8 hole saw, centered over the 1/16" pilot hole, cut the four holes for the mounting posts. Remove the drill shavings.
6. De-burr inside the holes, use a paint stick to touch up the edges.

Note: You may want to remove the Post Holders when you drill so the saw doesn't catch on the Holder.

3515 Mounting Bracket Installation For Heavy Duty cont.

Layout (Template Method)

1. Lay the Template in the truck bed, centering it from side to side, 20 5/16" from the end of the truck bed. The template is semetrical so there is no front or rear.
2. Mark the 4 holes as shown in Figure 6 (Front-use outer holes, Rear-use inner holes).

The template does not come with the hitch. Ask your distributor salesman for information about receiving a free set of steel installation templates.

INSTALLATION TIP: The template has a tendency to move when placed on the slick paint of new truck beds, and it may be helpful to place a small piece of NON-SKID matting, such as "SCOOT-GARD"™, to help keep the template from moving.

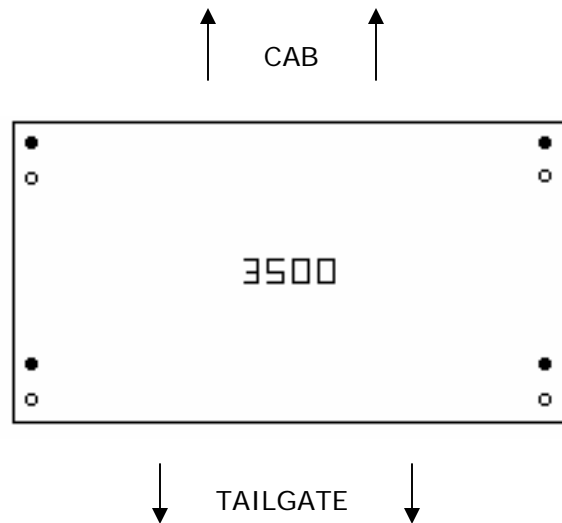


Figure 6

Positioning Post Holders

1. Slide Front Post Holders into place under the bed holes.
2. Insert Mounting Posts through the bed into the Post Holders. Rotate the Mounting Posts a quarter turn.
3. Install the hitch onto the Mounting Posts, sliding the hitch to the rear of the truck, insert the keepers and pins.

NOTE: The standard post is tall enough to clear most bed mats, bed liners may require taller posts to seat into the post holders properly.

Rear Frame Bracket Installation

1. Driver's Side—in the rear most frame hole, punch out the plastic fastener (Christmas Tree) holding the wire loom. See Figure 5(E) on Page 7. Enlarge the 1/4" hole to a 1/2" hole. Passenger's side—all holes will need to be drilled in frame.
2. Position the Rear Bracket on the side of the frame, install the 1-1/2" bolt and flat washer in the predrilled hole, secure with lock washer and nut, finger tight. See Figure 5(E) on Page 9.
3. The Post Holder will be positioned above the forward most slotted hole on the Mounting Bracket flange. See Figure 1 on Page 8. Install the 5/8" bolt and flat washer through the Post Holder, securing the Post Holder to the Mounting Bracket flange using another flat washer, lock washer and nut. See Figure 5(B) on Page 9.
4. Using the frame clip, install the 1/2" x 4" bolt in the top, forward predrilled hole. Secure with a lock washer and nut. See Figures 4 & 5© on Page 9.
5. Using the predrilled bottom rear hole as a guide, drill a 5/8" hole and secure with 5/8" x 1-1/2" bolt, lock washer and nut. See Figure 5(B) on Page 9.
6. Torque all 1/2" bolts to 75 foot pounds; 5/8" bolts to 150 foot pounds.

*Note: On the Chevy HD the rear frame clip, Figure 5(D), can **not** be used due to the tire carrier bracket being in the way.*

3515 Mounting Bracket Installation For **Heavy Duty** cont.

Front Frame Bracket Installation

1. The Front Frame Bracket will be located on an angle portion of the truck frame, notice that the top flange of the bracket is angled as well, the narrow end should be positioned toward the cab.
2. Using the predrilled holes as guides, drill the 1/2" holes and secure with 1/2" x 1-1/2" bolts, lock washers and nuts. See Figure 5(A), Pg. 10.
3. Install the 5/8" bolt and flat washer through the Post Holder, securing the Post Holder to the Mounting Bracket flange using another flat washer, lock washer and nut. See Figure 5(B). Make certain that the Front Post Holder is centered left to right the same as the Rear Post Holders, the hitch should be square in the bed when installed on the Mounting Posts.
4. Torque all 1/2" bolts to 75 foot pounds; 5/8" bolts to 150 foot pounds.
5. Remove the hitch from the Mounting Posts, remove then reinstall the Mounting Posts into the Post Holders below. There should be no binding or difficulty in removing and reinstalling the Mounting Posts. If there should be binding, or interference with the bed, you may need to adjust the Post Holders below.
6. Reinstall the hitch, keepers and pins.
7. Reinstall the heat shield and the spare tire.

3515 Mounting Bracket Installation For Light Duty

Truck Preparation

1. Check part quantities using the Parts List.
2. Raise the rear of the truck.
3. Take out or loosen the back two rows of screws holding the exhaust heat shield.
4. Remove the spare tire.
5. Trucks with plastic bed liner: Make certain that the bed liner is centered in the bed before drilling. (Taller Mounting Posts may be necessary for proper installation over a plastic liner)

Post Holder Installation

1. Slide the **drivers** side Front Post Holder (with weld nuts) over the frame just behind the gas tank. See Figure 1 on page 12.
2. Slide the **passengers** side Post Holder (with slotted holes) between the bottom of the bed and the heat shield.
3. Connect the Post Holders in the center, positioning the 1/2" x 1-1/2" bolts, lock washers and flat washers from the bottom, up, finger tight. See Fig. 3 on Page 13.
4. Position the **drivers** side Rear Post Holder to the cab side of the rivet located near the back bed sill, position the **passengers** side Post Holder to match drivers side location.
5. Push the post holders toward the axle to clear the way for drilling from the top of the bed.

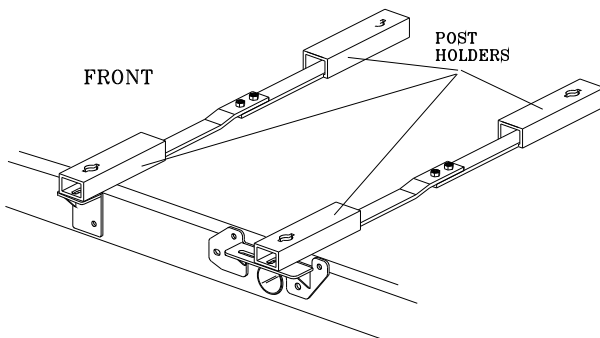


Figure 1

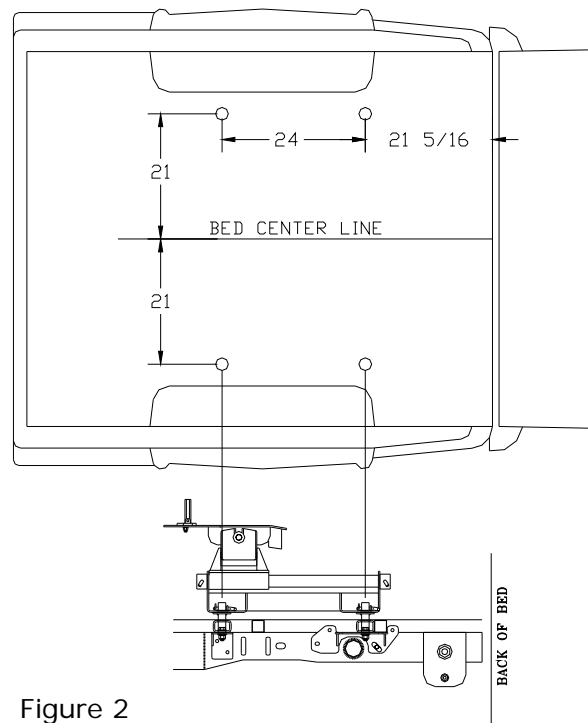


Figure 2

3515 Mounting Bracket Installation For **Light Duty** cont.

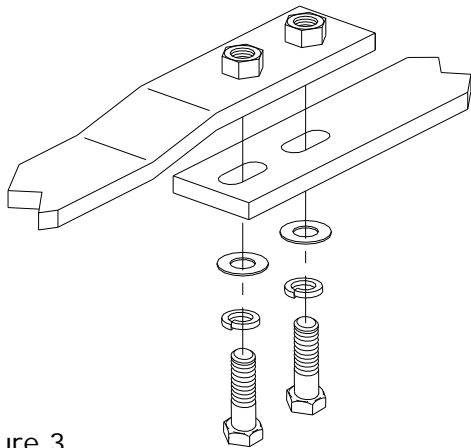


Figure 3

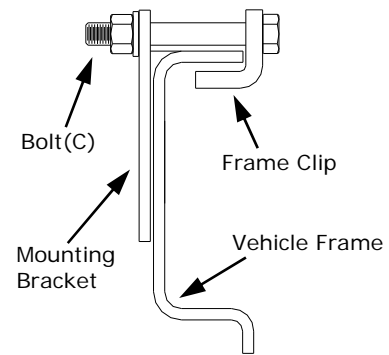


Figure 4

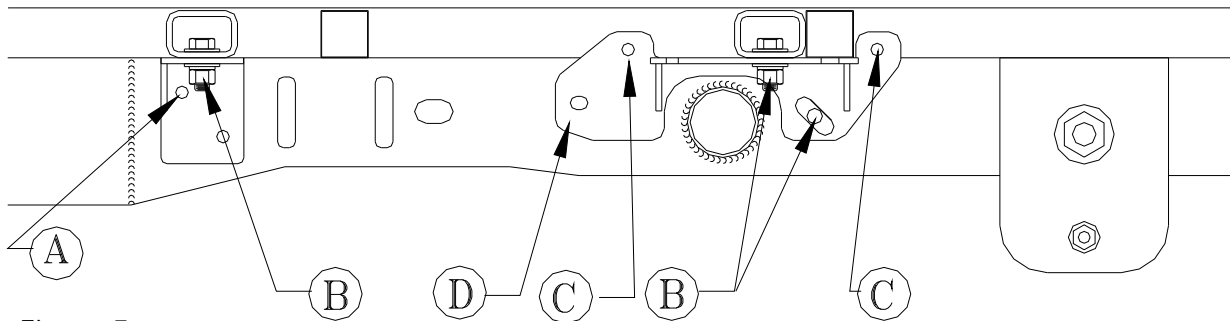


Figure 5

Marking the Bed for Drilling

1. Measure and mark, using a square at the back of the bed, forward **21-5/16"**. Do this at any point on both sides of the bed. See Figure 2 on page 12 for example.
2. Draw a line across the bed from mark to mark.
3. Measure 24" from the line towards the **front** of the bed and mark both sides.
4. Find the centerline of the bed. Draw a line down the middle of the bed from front to rear.
5. Measure out from the centerline 21" on each side at the **rear** of the bed and make a mark.
6. Drill a 1/16" pilot hole where the lines cross, beginning with the Driver's Side **rear**.
7. Push the Rear Post Holders rearward and position so the drill bit is centered through the Post Holder front to back. Don't worry about centering from side to side since the Post Holder can move in and out.
8. Mark and drill the Passenger's side pilot hole using the Driver's side dimension, taking any adjustments into consideration.
9. Measure out from the centerline 21" on each side at the **front** of the bed and make a mark.
10. Drill a 1/16" pilot hole where the lines cross.
11. Push the Front Post Holders forward and position so the drill bit is centered through the Post Holder front to back. Don't worry about centering from side to side since the Post Holder can move in and out.
12. Mark and drill the Passenger's side pilot hole using the Driver's side dimension, taking any adjustments into consideration.
13. Using a 2-1/8 hole saw, centered over the 1/16" pilot hole, cut the four holes for the mounting posts. Remove the drill shavings.
14. De-burr inside the holes, use a paint stick to touch up the edges.

Note: You may want to remove the Post Holders when you drill so the saw doesn't catch on the Holder

3515 Mounting Bracket Installation For **Light Duty** cont.

Layout (Template Method)

1. Lay the Template in the truck bed, centering it from side to side, 20 5/16" from the end of the truck bed. The template is semetrical so there is no front or rear.
2. Mark the 4 outside holes as shown in Figure 6.

The template does not come with the hitch. Ask your distributor salesman for information about receiving a free set of steel installation templates.

INSTALLATION TIP: The template has a tendency to move when placed on the slick paint of new truck beds, and it may be helpful to place a small piece of NON-SKID matting, such as "SCOOT-GARD"™, to help keep the template from moving.

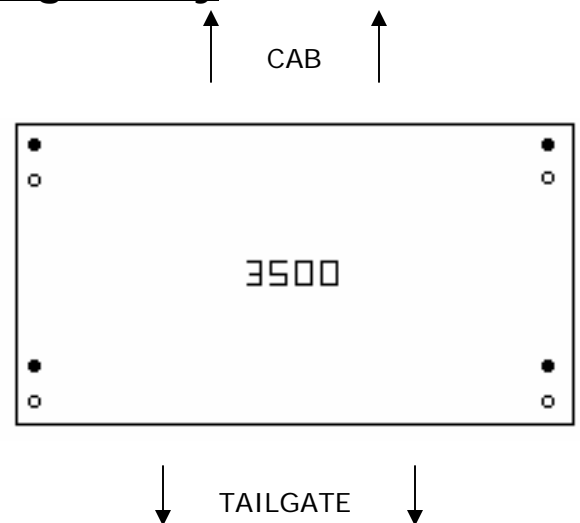


Figure 6

Positioning Post Holders

1. Slide Front Post Holders into place under the bed holes.
2. Insert Mounting Posts through the bed into the Post Holders. Rotate the Mounting Posts a quarter turn.
3. Install the hitch onto the Mounting Posts, sliding the hitch to the rear of the truck, insert the keepers and pins.
4. Connect the Post Holders in the center, positioning the 1/2" x 1-1/2" bolts, lock washers and flat washers from the bottom, up, finger tight. See Figure 3, Pg. 13.

Rear Frame Bracket Installation

1. Position the Rear Bracket on the side of the frame, install the 5/8" x 1-1/2" bolt and flat washer in the predrilled slotted hole, secure with lock washer and nut, finger tight. See Figure 5(B), Pg. 13.
2. The Post Holder will be positioned above the rear most slotted hole on the Mounting Bracket flange. See Figure 1, Pg. 12. Install the 5/8" bolt and flat washer through the Post Holder, securing the Post Holder to the Mounting Bracket flange using another flat washer, lock washer and nut. See Figure 5(B), Pg. 13.
3. Using the frame clips, install the 1/2" x 4" bolts in the top, forward predrilled hole and rear predrilled hole. Secure with a lock washers and nuts. See Figures 4 & 5©, Pg. 13.
4. Using the predrilled front hole as a guide, drill a 1/2" hole and secure with 1/2" x 1-1/2" bolt, lock washer and nut. See Figure 5(D), Pg. 13.

Front Frame Bracket Installation

1. The Front Frame Bracket will be located on an angle portion of the truck frame, notice that the top flange of the bracket is angled as well, the narrow end should be positioned toward the cab.
2. Using the predrilled holes as guides, drill the 1/2" holes and secure with 1/2" x 1-1/2" bolts, lock washers and nuts. See Figure 5(A), Pg. 13.
3. Install the 5/8" bolt and flat washer through the Post Holder, securing the Post Holder to the Mounting Bracket flange using another flat washer, lock washer and nut. See Figure 5(B) on page 13. Make certain that the Front Post Holder is centered left to right the same as the Rear Post Holders, the hitch should be square in the bed when installed on the Mounting Posts.
4. Torque all 1/2" bolts to 75 foot pounds; 5/8" bolts to 150 foot pounds.
5. Remove the hitch from the Mounting Posts, remove then reinstall the Mounting Posts into the Post Holders below. There should be no binding or difficulty in removing and reinstalling the Mounting Posts. If there should be binding, or interference with the bed, you may need to adjust the Post Holders below.
6. Reinstall the hitch, keepers and pins.
7. Reinstall the heat shield and the spare tire.

FIVE YEAR LIMITED WARRANTY

PULLIAM ENTERPRISES, INC. hereinafter referred to as "**PULLIAM**", warrants to the first retail owner only, this PullRite towing system to be free from defects in materials and workmanship for a period of five (5) years after the installation on purchaser's vehicle.

To validate this warranty, the first retail owner must mail the provided warranty card to **PULLIAM** within ten (10) days after installation of said towing system on his vehicle.

The owner is responsible for all normal and preventive maintenance described in the Owner's Instructions.

If any defect occurs which the owner believes is covered by this warranty within said five (5) year period, the owner shall contact **PULLIAM** immediately, either in writing or by telephone call, Attention Customer Service Department. The owner will be instructed to return the hitch at his expense either to an authorized PullRite dealer or to **PULLIAM** to repair or replace any parts necessary to correct defects in material or workmanship.

Repair or replacement shall be at the sole option of **PULLIAM** and shall be completed by or on behalf of **PULLIAM** free of charge for materials and labor.

This warranty gives you specific legal rights, and you may also have other right's which vary from state to state.

THIS WARRANTY SPECIFICALLY EXCLUDES EACH OF THE FOLLOWING:

1. Defects in the product resulting from misuse, neglect, accident, loading beyond the vehicle's capacity, failure to comply with instructions contained in the Owner's Instruction or unauthorized repairs, replacements, alterations or modifications. "Unauthorized repair, replacements, alterations" are those made without **PULLIAM'S** prior knowledge and consent.
2. Any incidental or consequential damage including, but not limited to, loss of use of the vehicle, towing charges, vehicle rental, loss of time, inconvenience, travel, gasoline, lodging and telephone expenses, loss of revenue and damages on account of personal injury and property damage. (Some states do not allow the exclusion or limitation of incidental or consequential damages, so these limitations may not apply to you).
3. Repairs or replacements of defects in any PullRite towing system, or part thereof, installed on any vehicle which has been rented, leased or used for any commercial purpose.
4. Any representation, warranty of undertaking made by any dealer or third party beyond the scope of the warranty herein expressed.
5. Any problem resulting in normal deterioration due to wear or exposure.

TO THE EXTENT PERMITTED BY LAW, IMPLIED WARRANTIES OF MERCHANTABILITY AND FITNESS FOR A PARTICULAR PURPOSE ARE LIMITED IN DURATION TO ONE YEAR FROM THE DATE OF INSTALLATION ON THE FIRST OWNER'S VEHICLE. (SOME STATES, HOWEVER, DO NOT ALLOW LIMITATIONS AS TO DURATION OF IMPLIED WARRANTY, SO THOSE LIMITATIONS MAY NOT APPLY TO YOU)

PULLRITE TRAILER TOWING SYSTEMS

MANUFACTURED BY:

PULLIAM ENTERPRISES, INC.
13790 East Jefferson Blvd.
Mishawaka, IN 46545
(574) 259-1520 or (800) 443-2307
info@pullrite.com • www.pullrite.com

