



Installation Instructions

2008 Ford Bracket Modification Instructions

(Mounting Bracket# 3513)

1. Due to rivets on the new 2008 Ford truck frame (driver's side only), the bracket is restricted from sitting flush against the truck frame. PullRite's current mounting bracket (Figure 1) can be modified to allow the bracket to sit flush.

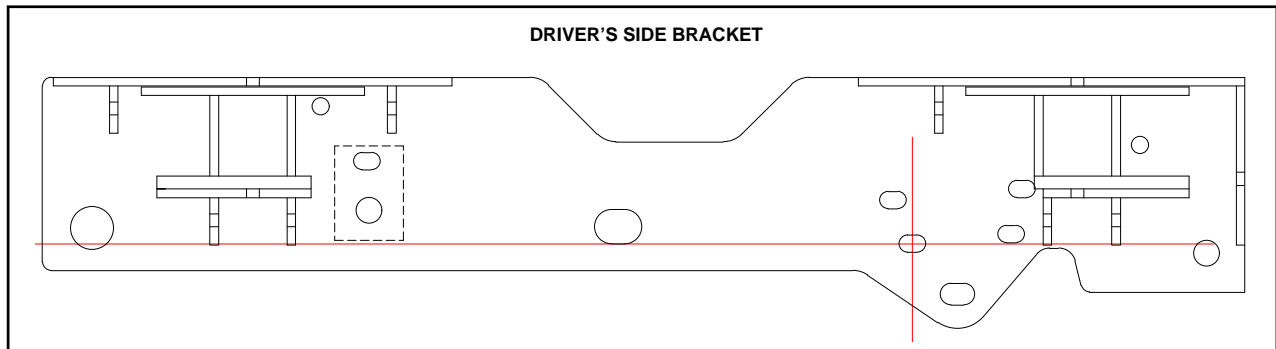


Figure 1
2005 Ford Bracket PRIOR TO MODIFICATION

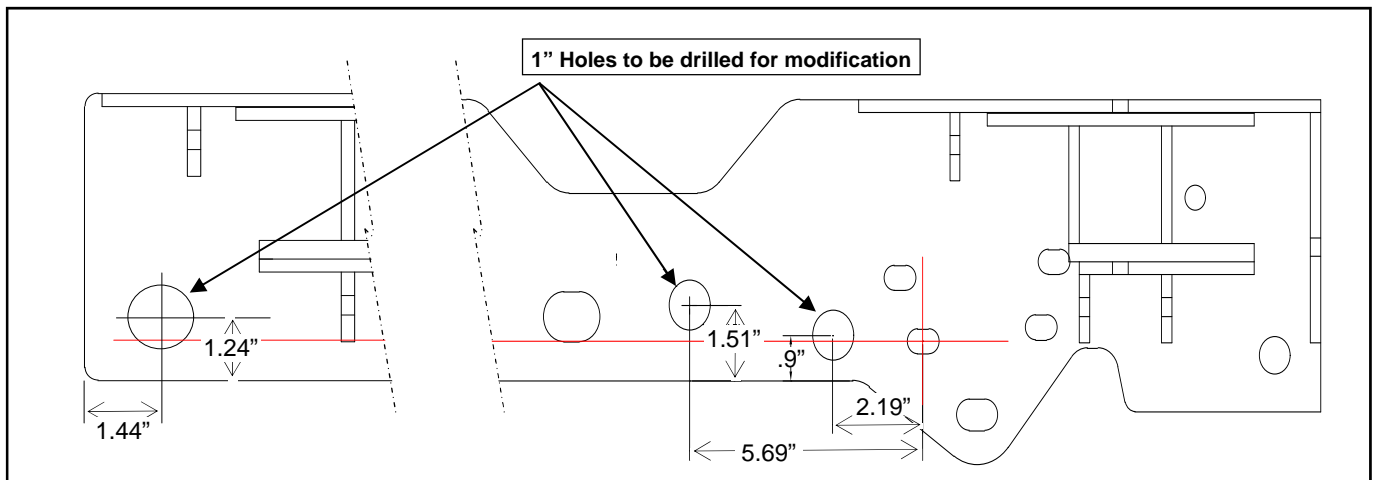


Figure 2
2008 Ford Modification AFTER MODIFICATION

2. To modify the mounting bracket to sit flush against the 2008 Ford frame (driver's side only), simply drill 1" holes in the bracket as indicated in Figure 2 above.