



DODGE

SuperBracket Mounting Kit

#0831



Installation Instructions

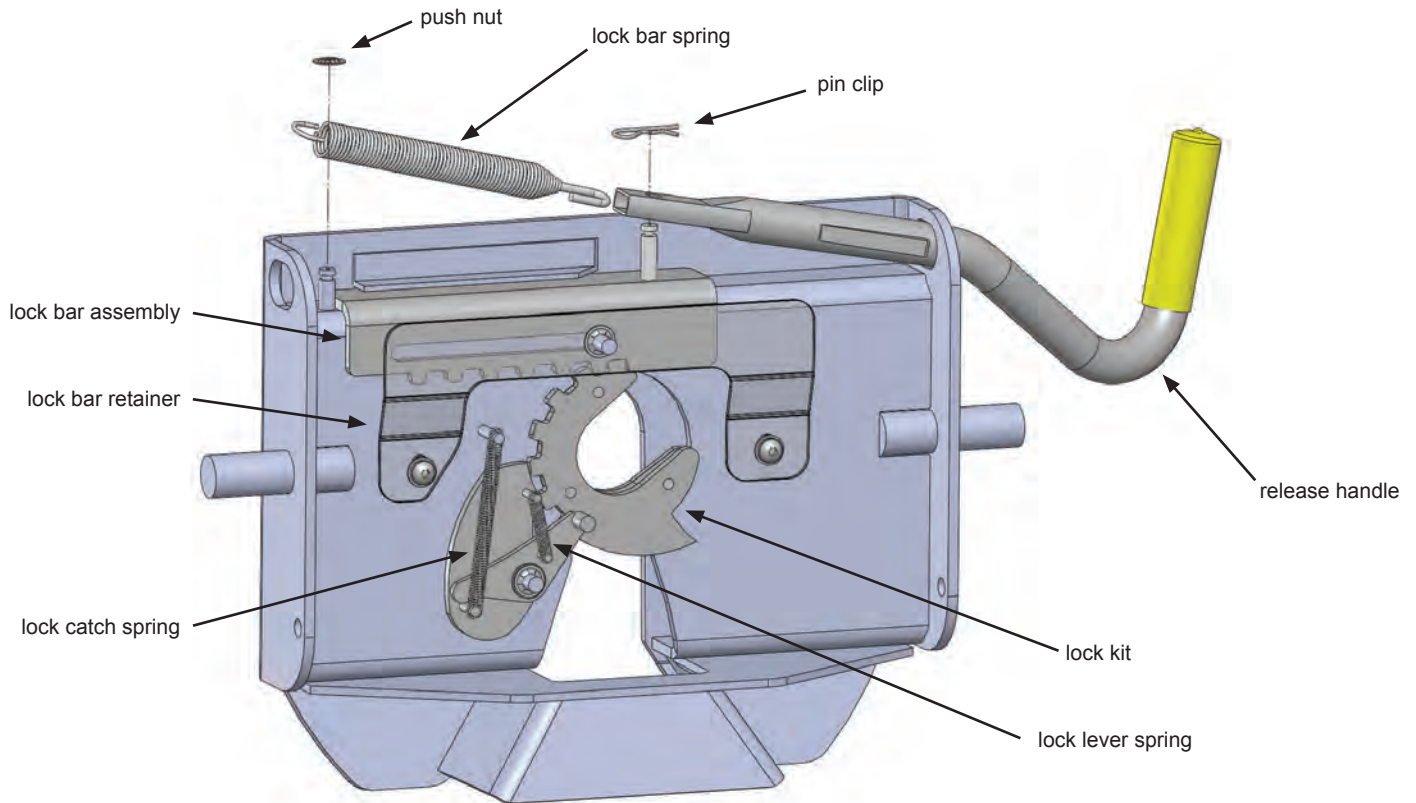
SPECIFICATIONS

- Fits 2011-2012 Dodge 2500 & 3500 except 2WD 3500 w/ overload springs
 - Hitch is located 1-3/8" ahead of the axle
 - No-drill application
 - SuperBracket Kit (*Bracket & Hardware*) #0821

TABLE OF CONTENTS

PLATE ASSEMBLY.....	3
#1200 HITCH ASSEMBLY — EXPLODED VIEW	4
#1200 HITCH ASSEMBLY & PARTS LIST	5
#0800 HITCH ASSEMBLY — EXPLODED VIEW	6
#0800 HITCH ASSEMBLY & PARTS LIST	7
MOUNTING KIT EXPLODED VIEW.....	8
MOUNTING KIT PARTS LIST	9
TRUCK PREPARATION.....	10
MARKING THE TRUCK BED FOR DRILLING.....	10
LAYOUT METHOD	10
TEMPLATE METHOD	11
INSTALLATION	12
PART 1 — BRACKET PLACEMENT & BED HOLE LOCATIONS.....	12
PART 2 — BRACKET INSTALLATION	14
PART 3 — SHIMMING THE BED.....	15
PART 4 — FINAL INSTALLATION PROCEDURES	15

PLATE ASSEMBLY

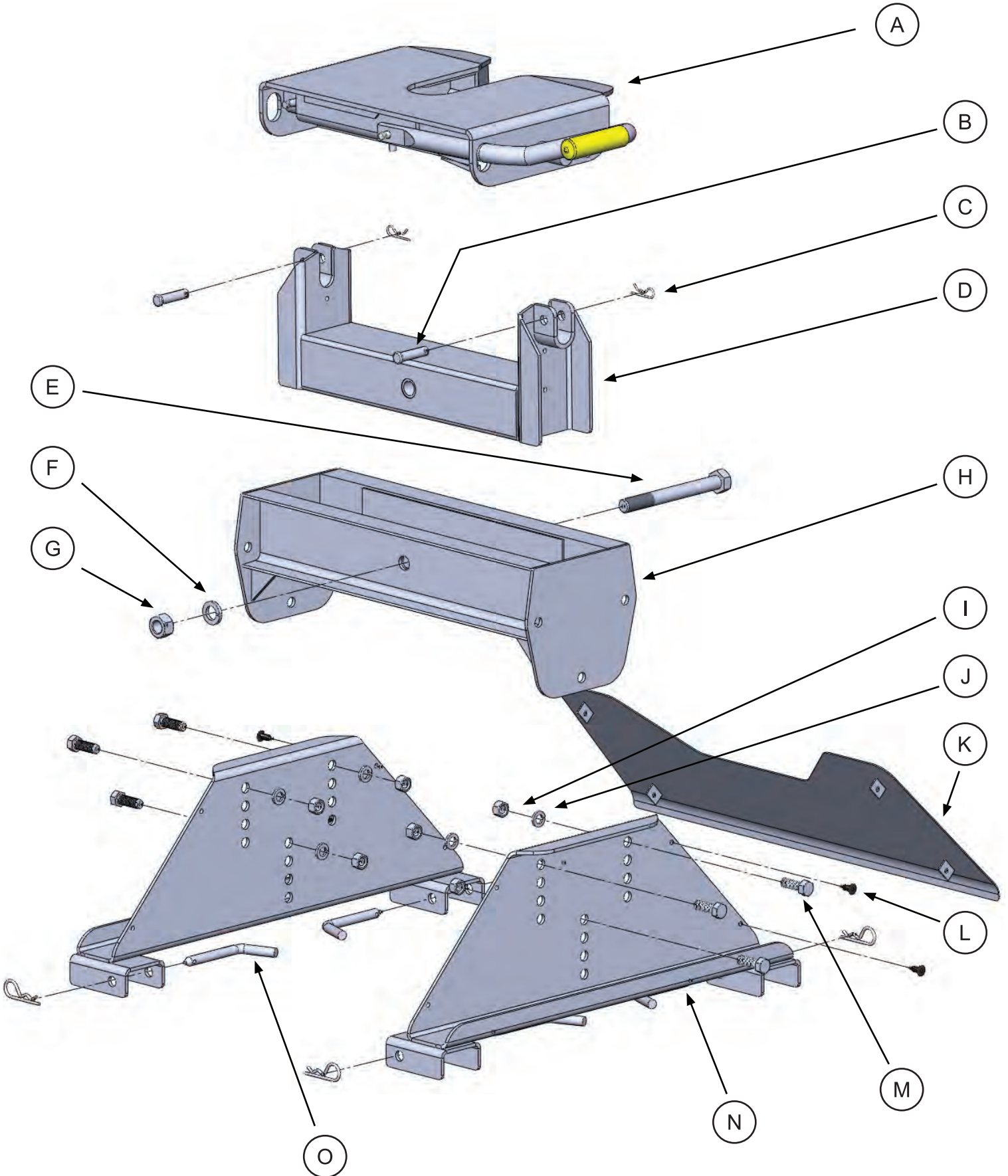


1. Remove the Fifth Wheel Plate from the Rocker Arm and place it upside down on a smooth, clean surface.
2. Insert the Release Handle into the obround hole of the plate as seen above.
3. The Lock Bar Spring must be placed inside the handle prior to placing the handle down over the pin of the Lock Bar Assembly, "catching" the hook inside the handle around the pin.
4. Push the handle and spring assembly down past the groove in the pin of the Lock Bar Assembly, and place the Pin Clip in the groove of the pin to fasten.
5. Grip the body of the spring and stretch it far enough over the opposite pin (welded to the plate) and push it down past the groove.
6. Install the Push Nut to secure the Lock Bar Spring onto the welded pin.

As a PullRite fifth wheel hitch owner, it is important for you to study and manually operate the Fifth Wheel Plate and Release Handle to better understand the locking action. A better working knowledge of the plate will help prevent accidental dropping of your trailer due to incorrect hitching.

Also, it is imperative that you study and adhere to the Maintenance procedures provided in the Owners Manual. If you did not receive one upon purchase, please contact PullRite or visit us on the web at www.pullrite.com.

#1200 HITCH ASSEMBLY — EXPLODED VIEW



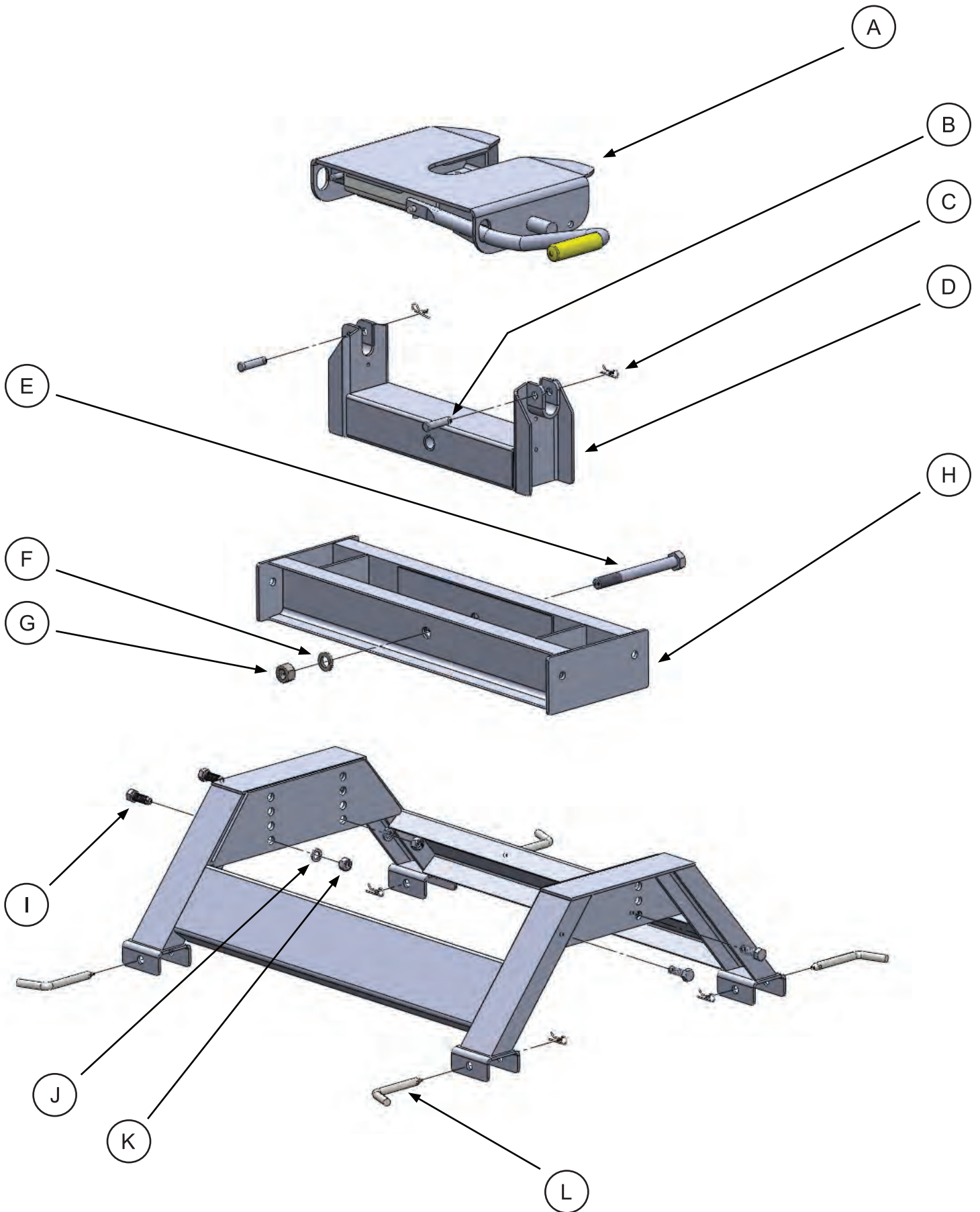
#1200 HITCH ASSEMBLY & PARTS LIST

1. Check part quantities using the Parts List.
2. Arrange the Base Rails parallel to each other and attach the Base Sides using the four 1/2" Base Rail Pins and four Pin Clips.
3. Remove the 3/4" x 7" Rocker Arm Pivot Bolt from the Rocker Arm and Crossmember. The Rocker Arm is shipped upside down in the Crossmember for better packaging and will need to be removed and reinstalled right side up in the Crossmember. Tighten the 3/4" x 7" Rocker Arm Pivot Bolt only enough so that the Rocker Arm will rotate stiffly. Lubricate the Rocker Arm Pivot Bolt with heavy grease before installing.
4. Fasten the Crossmember and Base Sides together using six each of the 1/2"-13 x 1 1/2" Bolts, 1/2" Lock Washers, and 1/2"-13 Hex Nuts. This hitch has four height settings; make certain to adjust the Rocker Arm Crossmember according to your truck and vehicle so you have a minimum of 6" between the top of the truck's bed sides and the bottom of your trailer. Attach the Base Cover Assembly to the Base Sides using the four Plastic Barbed Fasteners provided. The tabs welded to the Base Cover Assembly fit on the inside of the Base Sides. Tighten bolts to 75 foot pounds.

HITCH ASSEMBLY PARTS LIST

item	description	part no.	qty.	material
A	FIFTH WHEEL PLATE	3601	1	
B	CLEVIS PIN	98410111	2	
C	PIN CLIP	98410127	6	#3 PIN CLIP
D	ROCKER ARM	0802	1	
E	ROCKER ARM PIVOT BOLT	98010147	1	
F	ROCKER ARM LOCK WASHER	98200124	1	3/4" SPLIT LOCK WASHER
G	ROCKER ARM HEX NUT	98150131	1	3/4" - 10 HEX NUT
H	ROCKER ARM CROSSMEMBER	1202	1	
I	1/2" HEX NUT	98150153	6	1/2" - 13 HEX NUT
J	1/2" LOCK WASHER	98200142	6	1/2" LOCKWASHER
K	BASE COVER	120302	1	
L	PLASTIC BARBED FASTENER	98410560	4	
M	1/2" X 1-1/2" FRAME BOLT	98010167	6	1/2" - 13 X 1-1/2" HHCS GRD 5
N	BASE SIDE	120301	2	
O	BASE RAIL PINS	08060001	4	1/2" ROUND

#0800 HITCH ASSEMBLY — EXPLODED VIEW



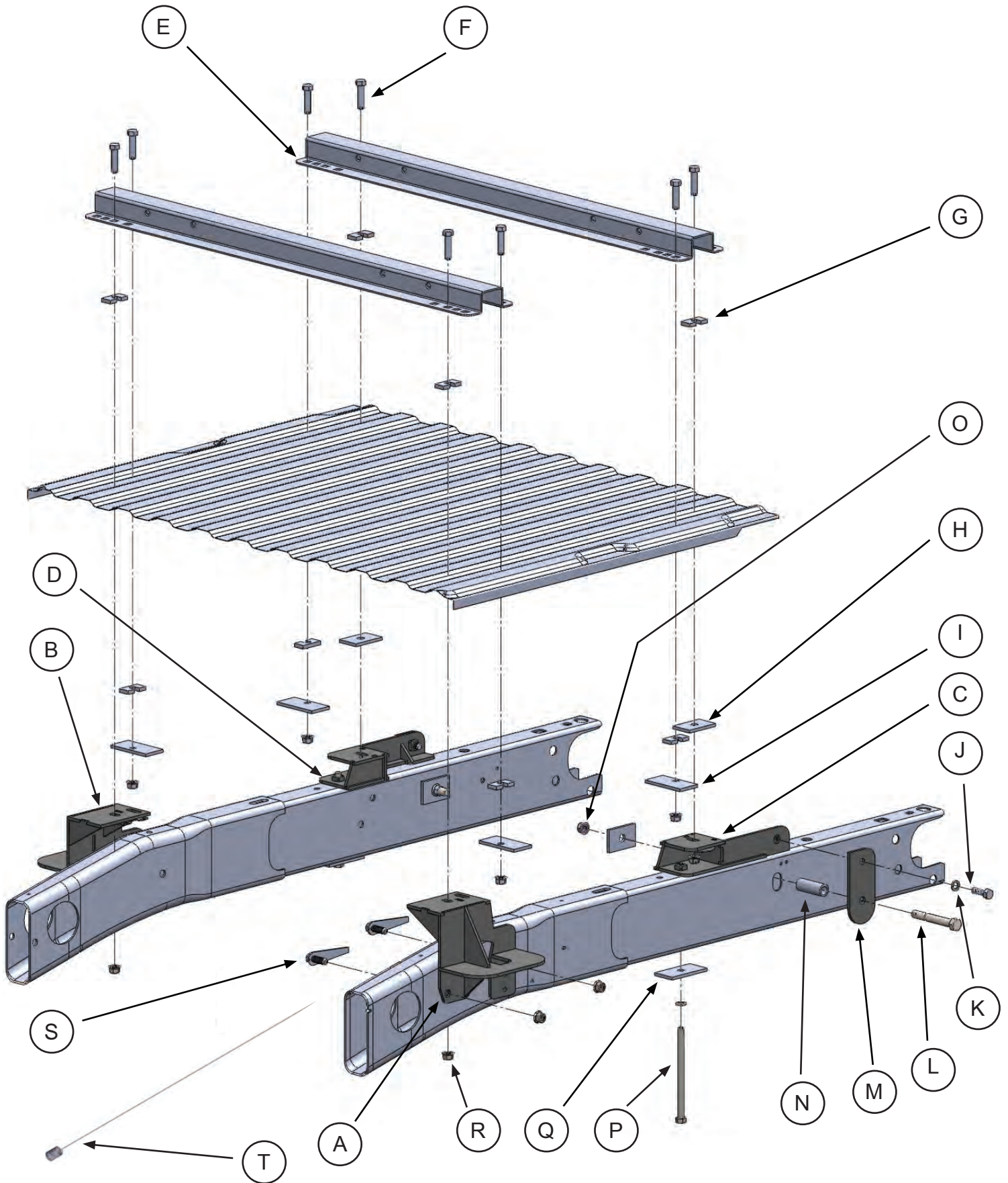
#0800 HITCH ASSEMBLY & PARTS LIST

If the hitch type to be installed is a 20,500 (Part #0800), there is no assembly required except to attach the Base Rails to the base feet of the hitch Base using the four 1/2" Base Rail Pins and four Pin Clips.

This hitch has four height settings; make certain to adjust the Rocker Arm Crossmember according to your truck and vehicle so you have a minimum of 6" between the top of the truck's bed sides and the bottom of your trailer. Be sure to torque all four 1/2" x 1 1/2" Bolts to 75 foot pounds.

HITCH ASSEMBLY PARTS LIST				
item	description	part no.	qty.	material
A	FIFTH WHEEL PLATE	3601	1	
B	CLEVIS PIN	98410111	2	
C	PIN CLIP	98410127	6	#3 PIN CLIP
D	ROCKER ARM	0802	1	
E	ROCKER ARM PIVOT BOLT	98010147	1	
F	ROCKER ARM LOCK WASHER	98200124	1	3/4" SPLIT LOCK WASHER
G	ROCKER ARM HEX NUT	98150131	1	3/4" - 10 HEX NUT
H	ROCKER ARM CROSSMEMBER	0803	1	
I	1/2" BASE BOLT	98010167	4	1/2" - 13 X 1-1/2" HHCS GRD 5
J	1/2" BASE LOCK WASHER	98200142	4	
K	1/2" BASE HEX NUT	98150153	4	1/2" - 13
L	BASE RAIL PINS	08060001	4	1/2" ROUND

MOUNTING KIT EXPLODED VIEW



MOUNTING KIT PARTS LIST

#0831 MOUNTING KIT				
item	description	part no.	qty.	material
A	DRIVER SIDE FRONT MOUNTING BRACKET	081601	1	
B	PASSENGER SIDE FRONT MOUNTING BRACKET	081602	1	
C	DRIVER SIDE REAR MOUNTING BRACKET	082103	1	
D	PASSENGER SIDE REAR MOUNTING BRACKET	082104	1	
E	BASE RAILS	08050001	2	
F	BASE RAIL MOUNTING BOLTS	98010175	8	
G	SLOTTED BED SHIM	08070201	8	5/16" SLOTTED SHIM
H	3" CENTER HOLE BACKUP PLATE	08210307	4	3" CENTER HOLE BACKUP PLATE
I	OFFSET HOLE BACKUP PLATE	05070303	4	
J	1/2" MOUNTING BRACKET BOLT	98010167	2	1/2"-13 X 1-1/2" HHCS GRD 5
K	1/2" LOCKWASHER	98200142	4	1/2" LOCKWASHER
L	5/8" MOUNTING BRACKET BOLT	98010234	2	5/8"-11 X 4-1/2" HHCS GRD 5
M	REAR MOUNTING BRACKET BOLT PLATE	08210601	2	
N	FRAME SPACER	33180701	2	
O	5/8" FLANGE NUT	98150200	2	5/8"-11 SERRATED FLANGE NUT
P	7" REAR MOUNTING BRACKET BOLT	98010214	2	1/2"-13 X 7-1/2" HHCS GRD 5
Q	4" CENTER HOLE BACKUP PLATE	05070302	2	4" CENTER HOLE BACKUP PLATE
R	1/2" FLANGE NUT	98150201	12	1/2"-13 SERRATED FLANGE NUT
S	ANTI-ROTATION BOLT	082105	4	1/2" ANTI-ROTATION BOLT
T	1/2" BOLT LEADER	98340197	1	1/2"-13 BOLT LEADER
SUPERBRACKET KIT		0821		KIT CONTAINS BRACKETS AND HARDWARE

LAYOUT TEMPLATE			
description	part no.	qty.	material
LAYOUT BED TEMPLATE	08990000	1	ITEM SOLD SEPARATELY

TRUCK PREPARATION

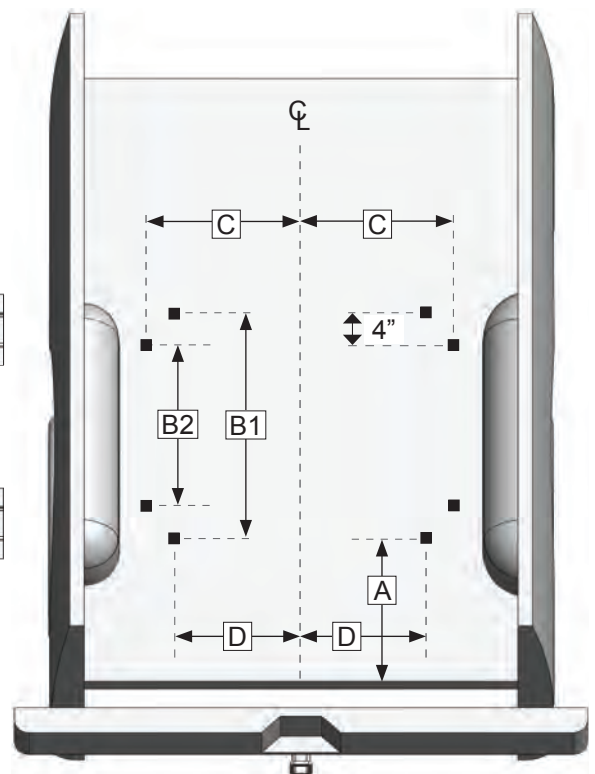
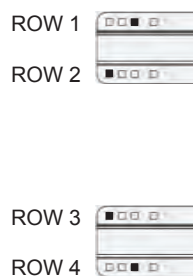
1. Block vehicle wheels. Some vehicles may require you to raise the rear of the truck to install the mounting brackets on the truck frame.
2. Remove the emergency brake cable bracket located in the driver side wheel well (replace after installing the hitch mounting brackets).
3. If the truck is a two wheel drive, remove the axle jounce bumper located just above the axle on the bottom of the frame (replace after the hitch is installed). If the truck is a two wheel Dodge 3500 with overload brackets, this mounting system will not work.
4. If your installation is for a six foot bed truck with overload brackets, you must trim the cross sill extensions located under the front bed cross sill even with the bottom of the main cross sill as they will interfere with the installation of the Front Mounting Bracket.
5. Remove the spare tire and set aside.
6. You may wish to remove the wheels to give yourself greater working room.

MARKING THE TRUCK BED FOR DRILLING

LAYOUT METHOD

If you purchased an installation template, please proceed to "TEMPLATE METHOD". *Templates are sold separately.*

1. Referencing "Truck Bed Dimension Table" below, measure and mark from the back of the bed forward, the values for "A" and "B". Do this at any point on both sides of the bed.
2. Draw a line across the bed from mark to mark.
3. Find the centerline of the bed.
4. Draw a line down the middle of the bed from front-to-rear.
5. Measure the distance of "D" from the centerline of the bed in both directions. The center of the bolt location will be at the intersection of A & D.
6. Continue working toward the cab, marking the center holes of each remaining bolt locations.

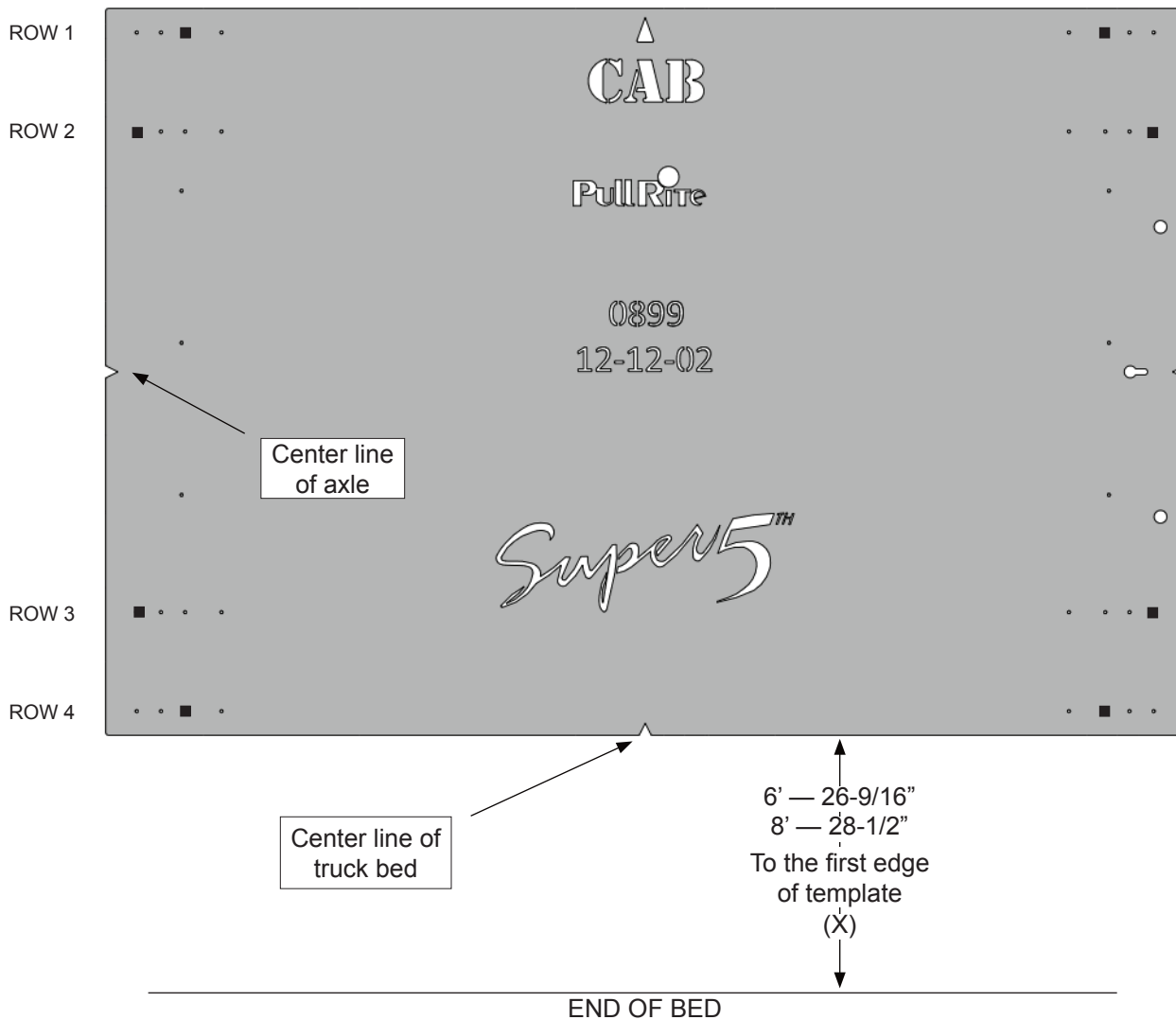


TRUCK BED DIMENSION TABLE							
LAYOUT METHOD					TEMPLATE METHOD		
BED LENGTH	"A"	"B1"	"B2"	"C"	"D"	"X"	Template part#
6 ft.	27-9/16"	28"	20"	21"	19"	26-9/16"	08990000
8 ft.	29-1/2"	28"	20"	21"	19"	28-1/2"	08990000

TEMPLATE METHOD

1. Lay the template in the truck bed, centering it from side-to-side, and parallel to the end of the truck bed using the dimension "X" listed in "Truck Bed Dimension Table."
2. Mark the 4 holes, while making sure the template does not move.

INSTALLATION TIPS: The *TEMPLATE* should be orientated as shown in the drawing below. To avoid drilling holes in error from out of tolerance bed-to-frame dimensions, mark the hole locations as lightly as possible if a center or transfer punch is used. Then use a very small diameter drill bit to drill one location on either side of bed. Place the *Mounting Brackets* against the frame to determine the correctness of the bed hole locations relative to the pre-punched holes in the *Mounting Bracket* and existing frame holes. Adjust the template pattern relative to the end of the bed, as necessary, to move the bed holes nearer the center of the mounting bracket holes. Note also, the information etched into the template — the direction of the cab, the template number and the revision date. As one last measure, the template has a tendency to move when placed on the slick paint of new truck beds, and it may be helpful to place a small piece of *NON-SKID* matting, such as "SCOOT-GARD"™ or simply use duct tape on each corner to help keep the template from moving.



INSTALLATION

PART 1 — BRACKET PLACEMENT & BED HOLE LOCATIONS

Since most truck beds are not installed square to the frame or are the same distance from the back of the cab, the installer will need to make sure the bed holes line up properly with the obround hole in the top of the mounting bracket.

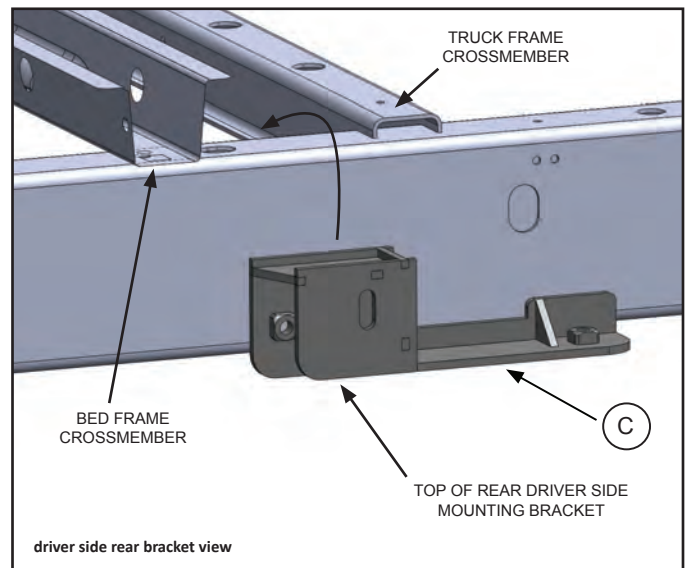
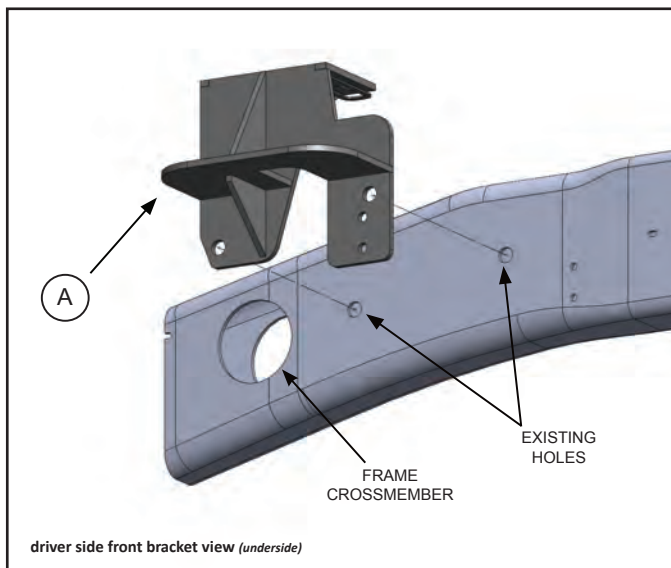
The basic steps in this section are as follows:

- Layout the bed holes
- Drill the first pilot hole in the bed
- Check centering
- Adjust the bed hole layout if necessary
- Drill the second pilot hole and check centering to ensure bed hole locations are square to the frame; adjust as needed
- Drill remaining pilot holes in the bed; check centering
- Drill truck frame, if necessary

Detailed Installation Instructions

1. This is a no-drill installation, the brackets will use existing holes in the frame drilled by the manufacturer, note drawings for existing holes and fastening methods.
2. Position all mounting brackets on the frame and clamp or fasten in place to determine if your bed layout marks are square to the frame, making sure the brackets are tight against the frame (some mounting brackets may have a slight warp due to the metal characteristics during the welding process). Do not tighten fasteners permanently, you will be removing the brackets to drill the 3/4" holes through the bed.

INSTALLATION TIP: Front mounting brackets clamp in place. The rear mounting brackets, due to a lack of space between the frame of the truck and the side body of the truck, are placed on the top of the truck frame by inserting it vertically between the side of the truck and the frame and “rolling” it onto the top of the truck frame (see illustration below). Attach the vertical bolt plate {M} to the rear mounting bracket using the bolt provided {I}. Insert the 7-1/2" Frame Bolt {P} and the center hole backup plate {Q} to the existing hole located on the underside of the frame. Hand tighten the bolt into the welded nut inside the mounting bracket housing.



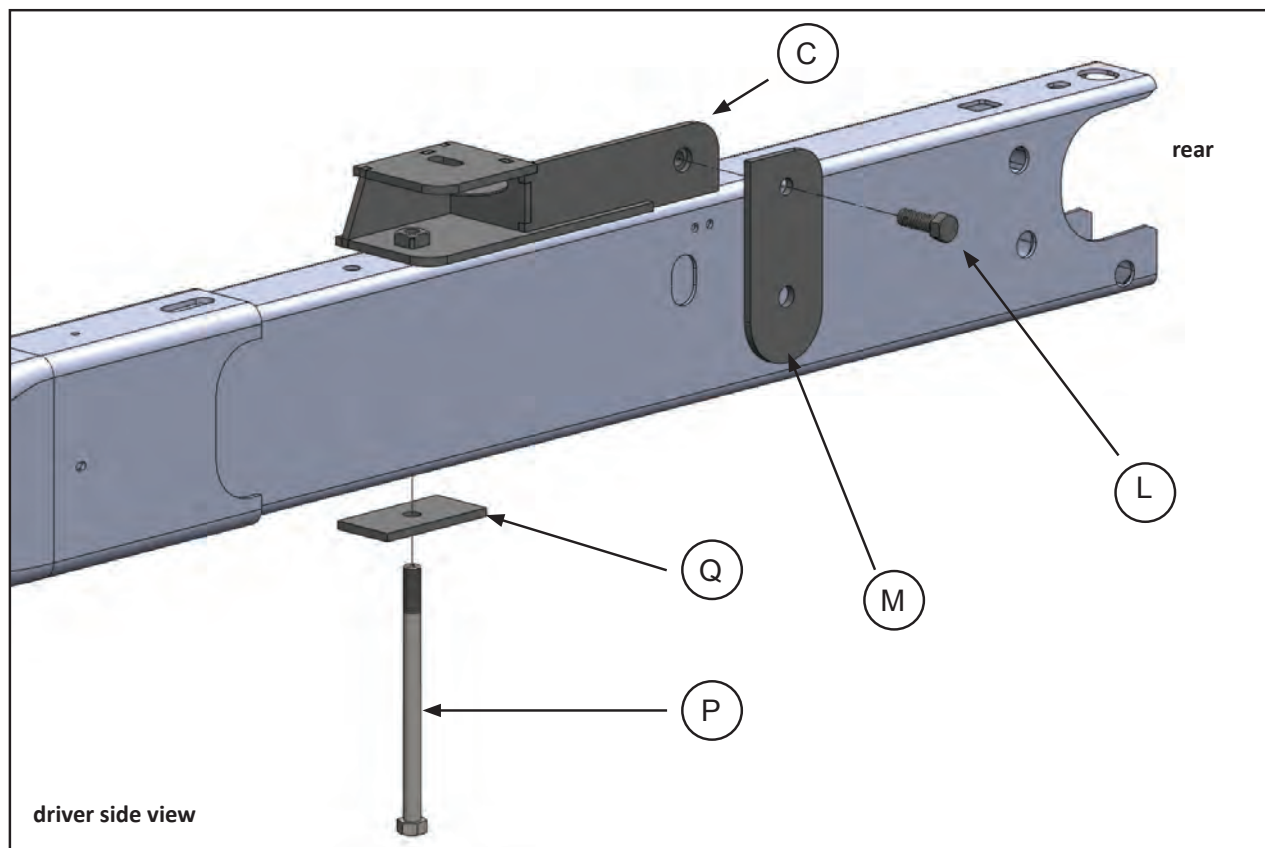
INSTALLATION

WARNING: Prior to drilling any holes, be sure to check the inside of the frame to guard against drilling into the fuel tank, wiring, brake lines or fuel module.

3. Drill the first 1/16" pilot hole through the truck bed over the front hole of the mounting bracket on the driver side where you made the mark during the "Marking Bed for Drilling.". The bit should come down center to the walls of the obround hole (fore-to-aft) in the top of the mounting bracket.

NOTE: Some truck beds are not installed square on their frame by the manufacturer. To ensure your pilot holes are aligned properly, it is important that you use the measurements provided only as a starting point and make adjustments as needed. Once you have the front driver side pilot hole centered, you will use this hole as a point of reference for all remaining pilot hole adjustments. If you are using the Template Method, simply use one drilled hole to square the remaining holes to the frame. If you are using the Layout Method, you may accomplish the same thing by using a framing square and straight edge.

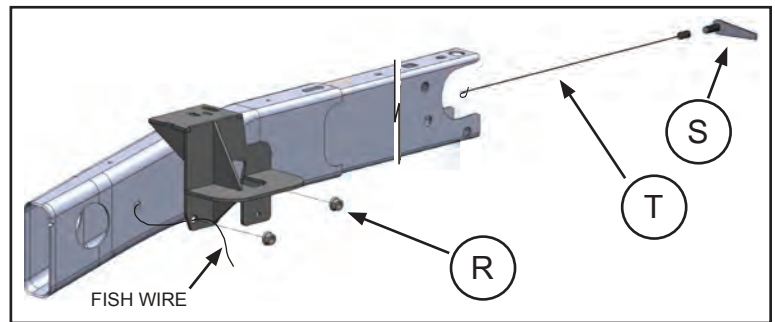
4. Repeat Step 3 for the remaining brackets.
5. Remove the mounting brackets and drill out all pilot holes with a step drill to 3/4".



PART 2 — BRACKET INSTALLATION

FRONT MOUNTING BRACKET INSTALLATION

1. Examine the Front Mounting Brackets and note that there is a 1/16" thick tab located just below the obround hole in the top plate of the Mounting Bracket. The purpose of this tab is to assist you in holding the Flange Nut {R} in place. To install, pry the "tab" down far enough so that a Flange Nut can be inserted, then push the "tab" back up into position. The Flange Nut should be able to slide in and out while the "tab" holds the nut in place. When fastening the Base Rails to the Mounting Brackets, the Flange Nut can easily be positioned under the square hole in the Base Rail using a pen or other small tool. When tightening the Base Rail Bolts with an impact gun, start slowly as the "tab" may otherwise "strip out." A side view of this tab can be seen in the illustration on the following page as both front and rear brackets utilize these tabs.
2. The front mounting brackets require anti-rotation bolts {S} to be "fished" through the frame. With the bracket clamped in place, thread a long fish wire (not provided) through the forward 1/2" hole in the bracket and frame, threading the wire rearward to the end of the frame.
3. Once the wire reaches the rear frame opening, bend the end of the provided bolt leader to make an eyelet, and attach the fish wire to the leader.



INSTALLATION TIP: Prior to threading the anti-rotation bolt into the leader, thread the 1/2" flange nut on and off the bolt to assure that the nut will fit easily once the bolt is in place.

4. Thread an anti-rotation bolt into the provided bolt leader and pull it through the frame toward the Front Mounting Bracket and insert it through the existing hole in the frame.
5. Once the anti-rotation bolt is seated in place, fasten using a Flange Nut.
6. Install the remaining anti-rotation bolts in the same manner.

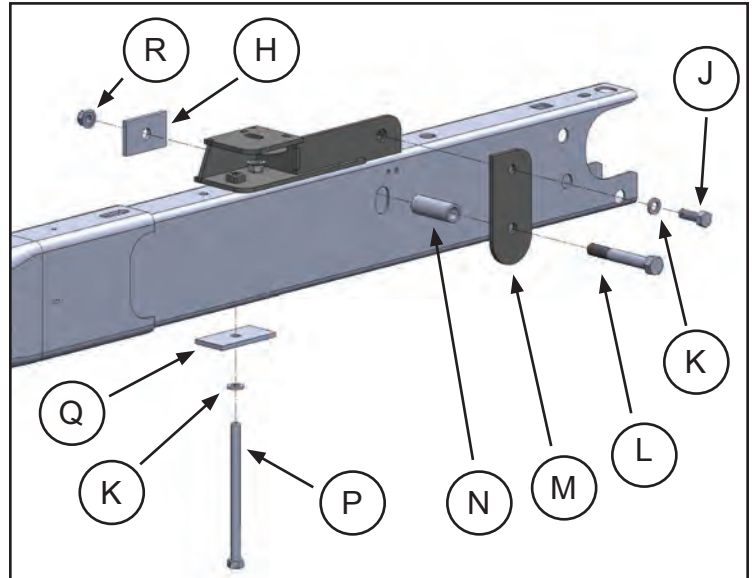
NOTE: When running the "fish" wire through the passenger side frame be careful to avoid running the wire over the top of the muffler brackets. The muffler brackets are rods that run through the frame rail and are welded in place. If the "fish" wire is run over the top of these rods the anti-rotation bolts will not pass over them.

INSTALLATION

REAR MOUNTING BRACKET INSTALLATION

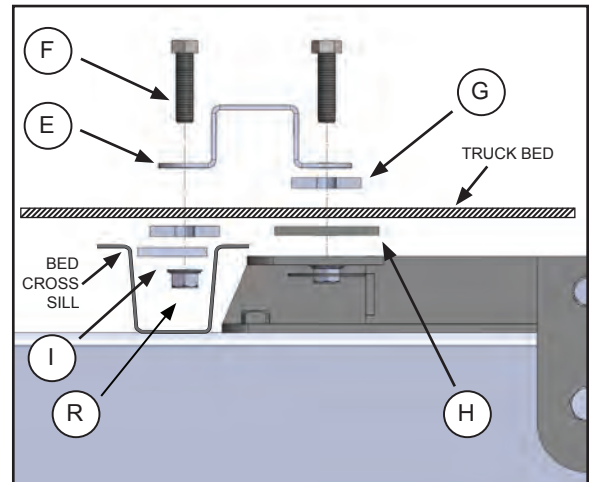
1. Install Flange Nuts into the tab on the mounting bracket as you did in Step 1 for the Front Mounting Bracket Installation.
2. Install the rear mounting brackets onto the frame as you did on page 12, using all the required hardware (see illustration). Finger tighten only.

NOTE: There is a flat side to the rear frame spacer {N}. This prevents the spacer from turning in the obround frame hole during installation. Insert the flat side of the spacer parallel to the side of the obround hole in the truck frame as seen to the right. The end of this spacer, when installed properly should be flush to the outside wall of the truck frame.



PART 3 — SHIMMING THE BED

1. To prevent “crushing” of the corrugated truck bed, we provide shims and backup plates (spacers) to be installed above and/or below the truck bed where necessary. Not all truck beds are installed exactly the same when manufactured, so it is necessary for you to determine where to place your shims, relative to the bolt locations (see Layout Method).
2. If you find that a bolt hole location is located over a bed channel, you will need to use a Slotted Bed Shim {G} to fill the space so it is even with the top of the bed. Conversely, do the same if the channel is located on the *underside* of the bed.
3. This application also requires that you use a Center Hole Backup Plate {H} to fill the gap *between the bed and the top of the mounting bracket*. Refer to page 8 for correct orientation and placement.
4. The bolts located on Rows 2 & 3 of the base rails will come down through the bed in an area *between* the walls of the cross sill. You must use an Offset Hole Backup Plate {I}, Flange Nut {O} and a Slotted Bed Shim {G} if the underside of the bed in these areas run along a channel of the bed (see illustration above).



PART 4 — FINAL INSTALLATION PROCEDURES

1. Set the Super 5th hitch on the base rails and align the hitch assembly with the mounting holes.
2. Install the hitch pins and clips, to secure the hitch assembly to the base rails. Use a drift pin to aid your hole alignment.
3. Make certain the hitch comes on and off without binding prior to completing final torques.
4. Tighten all bolts, including the base rail bolts, according to the Torque Table.

TORQUE TABLE

3/8" bolt	— 31 ft. lbs.
1/2" bolt	— 75 ft. lbs.
5/8" bolt	— 151 ft. lbs.
3/4" bolt	— 266 ft. lbs.



MANUFACTURED BY:
PULLIAM ENTERPRISES, INC.
13790 East Jefferson Blvd.
Mishawaka, IN 46545
(574) 259-1520 • (800) 443-2307
info@pullrite.com • www.pullrite.com