



Installation Instructions

(Part #0522)

SPECIFICATIONS:

25,500 Super 5th, (Part #0503)

Gross Trailer Weight (Maximum).....25,500 lbs.

Vertical Load Weight (Max. Pin Weight).....6,375 lbs.

FOR USE WITH

1999 - 2008 FORD SUPER DUTY 8' BED TRUCKS

CUSTOM MOUNTING BRACKETS (PART # 0507)

CUSTOM MOUNTING KIT (Part # 0522)

Introduction

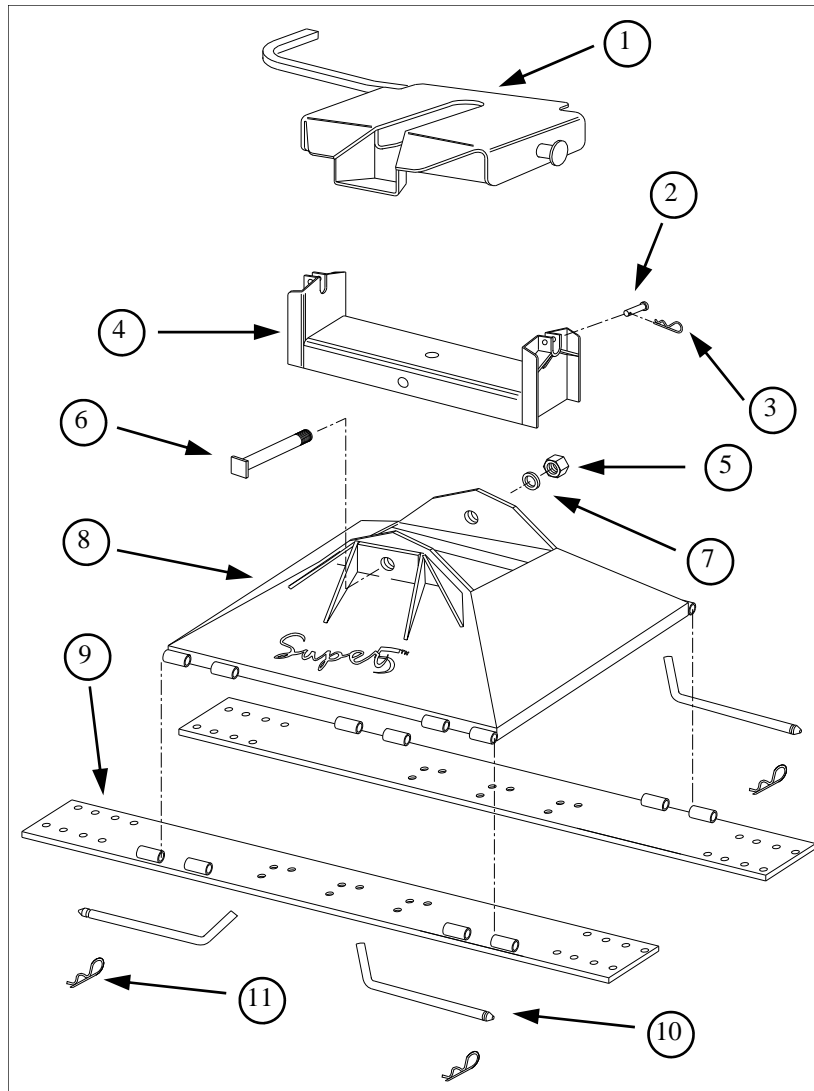
The following steps provide several pages of general instruction for the installation of the **25,500# (part number 0503) SUPER 5TH** towing system. Should you have any questions, please call the factory at (800) 443-2307 for installation assistance.

Index

Page

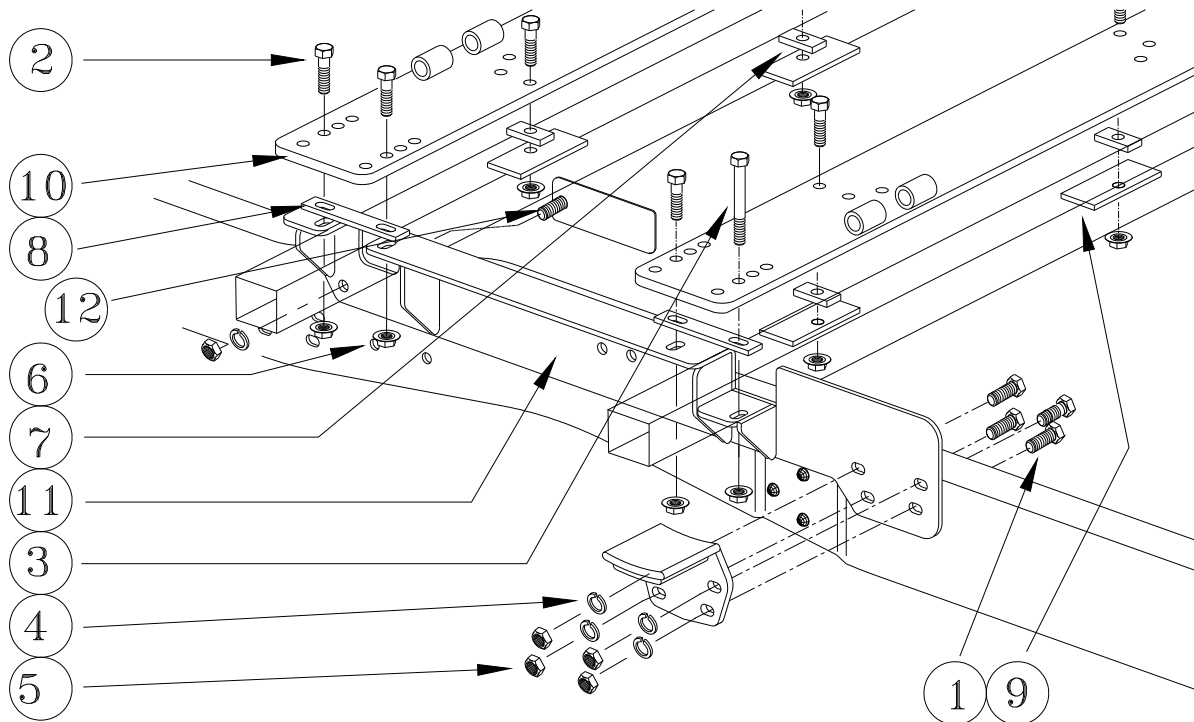
Introduction	1
Parts List For Hitch	2
Parts List For Custom Mounting & Tools Needed for Installation	3
Super 5th Preparation, Vehicle Preparation & Laying Out and Marking the Bed	4
Layout and Template method drawings	5
Bracket Installation & Installation Tip	6
Drilling the Bed & Hitch Installation	7
Installation Tips & General Comments	8

Parts List For 25,500 Super 5th Hitch



Ref.	Description	Part #	Qty.
1	Plate	120105	1
2	1/2" Clevis Pin	98410111	2
3	#3 Pin Clip	98410127	2
4	Rocker Arm	050403	1
5	1" -8 Hex Nut	98150120	1
6	1" -8 x 7-1/2" HHCS Pivot Bolt	140501	1
7	1" Lock Washer	98200115	1
8	Base Pedestal	050402	1
9	Base Rails	050404	2
10	3/4" Rd. Base Rail Hinge Pins	05010601	4
11	#9 Pin Clip	98410143	4

Parts List For 25,500 Super 5th Custom Mounting



Ref.	Description	Part #	Qty.
1	1/2" x 1-1/2" HHCS Frame Bolts	98010167	10
2	1/2" x 2" HHCS Mounting Bolts	98010175	12
3	1/2" x 5" HHCS Mounting Bolts	98010199	2
4	1/2" Lock Washer	98200142	10
5	1/2" - 13 Hex Nuts	98150153	10
6	1/2" - 13 Flange Nut	98150201	14
7	1/4" x 1" Bottom Bed Shim (one hole)	08070003	6
8	1/4" x 1" Bottom Bed Shim (two hole)	05070301	4
9	Offset Hole Back-up Plate	05070303	6
10	Base Rails	050404	2
11	1 Set Ford HD Custom Brkts	0507	1
12	1/2" x 1-1/2" HHCS Frame Bolt (with Back-up Plate)	081004	1
	Hardware Kit (Fasteners, Spacers & Backing Plates)	050703	
	Installation Kit (Brkt., Rails & Hardware)	0522	

Tools Needed For Installation

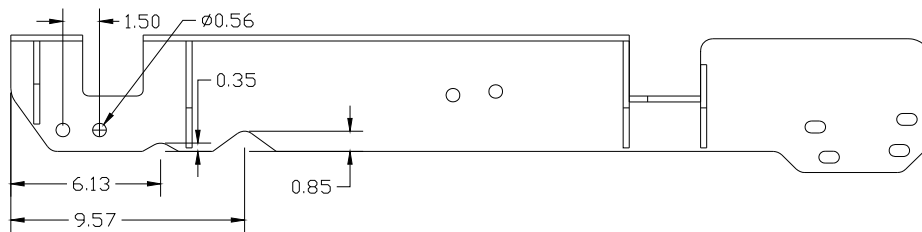
1/2" Drill Motor
1/16" Drill Bit
1/2" Drill Bit
3/4" Step Drill Bit

3/4" Socket
1 1/8" Socket
Torque Wrench
Measuring Tape

1/2" Drive Impact Gun or
1/2" Drive Ratchet Wrench
3/4" Combination Wrench
Felt Tipped Marker
Hammer

Before the Super 5th is used, the following preparations should be followed:

1. A zerk grease fitting is located on the top side of the rocker arm, accessible by removing the hitch plate. Three to five pumps with a grease gun, using an axle type grease, should be adequate lubrication for the grease zerk fitting. All remaining moving parts should be coated with light machine oil.
2. The Plate and it's moving parts should be lubricated with a light lubricant such as WD-40, 3-in-1 oil, or Silicone Spray Lubricant, before each trip or as needed. Be sure the Plate is free of dirt and old oil buildup.
3. In 2005 Ford moved the frame anchor location of the passenger side rear shock from the rear side of the axle to the front. PullRite has modified current production of these brackets to fit around the rivets that attach the shock mount to the frame. If you are installing an older version of bracket the following diagram will show the necessary modifications.



Vehicle Preparation

After blocking the front wheels, place jack stands under the frame so that the rear of the truck is high enough to allow the rear wheels to drop. This will give easy access to the frame area in the rear wheel well.

Remove the spare tire. This will allow easy access to the underside of the truck bed.

Laying Out and Marking the Bed

Template method to mark bed:

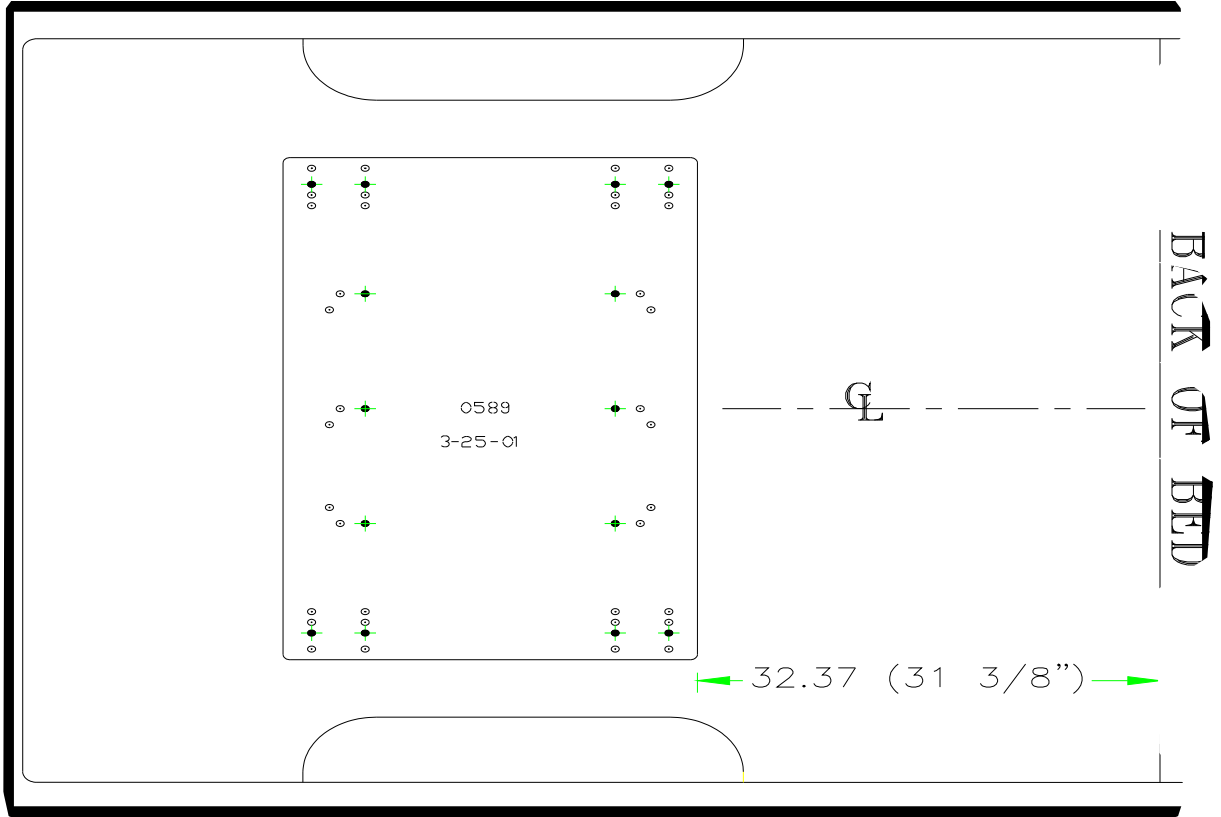
1. Place the rear edge of the template 32 3/8" forward of the rear edge of the truck bed.
2. Center template in bed from left and right.
3. While standing on the template, use a 1/16" drill bit or marker pin to mark the bed at each hole location.

Ask your distributor sales representative about hole pattern templates (P/N: 0589).

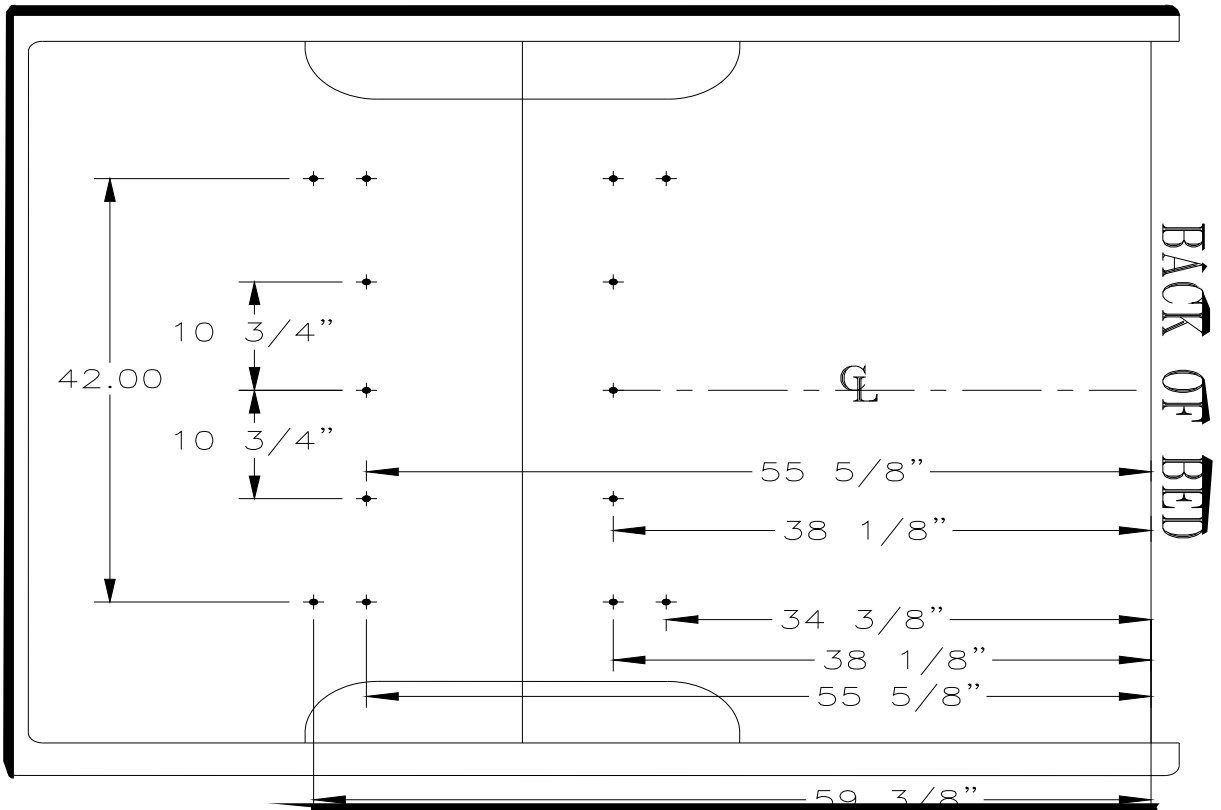
Layout method to mark bed:

Using the dimensions shown on page 5, draw layout lines in the bed using a straight edge and marker or chalk line. At intersections of lines, use a center punch to mark the bed.

Template Method



Layout Method



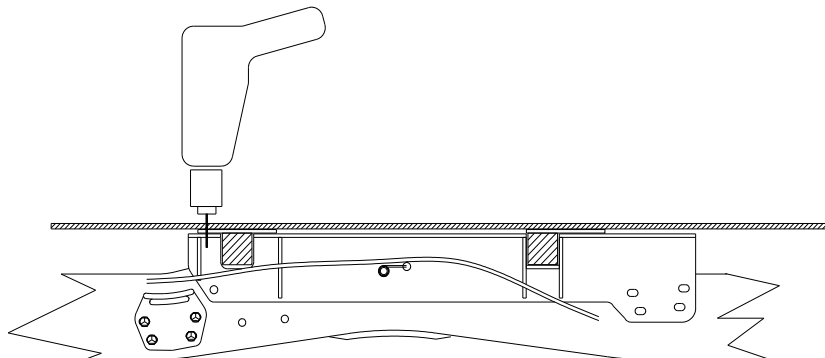
Bracket Installation

1. Identify driver's side mounting bracket and position for it on truck above back tire.
2. The front fender strut may need to be temporarily removed for easier access.
3. If existing on truck, remove the rear Overload Bracket positioned on the frame just behind the tire. See figure below and figure on page 3.
4. If truck is **not** equipped with over load springs then, using a 1/2" drill bit, drill out all four holes in the frame where the rear over load bracket is located. If the truck does have over load springs then use original fasteners at this location.
5. Using a 1/2" drill bit, drill out the hole in the frame that corresponds with the front most hole of the bracket (this hole should line up with a smaller existing hole in the frame for 8 foot bed trucks only).
6. Remove the break cable clamp and bolt to which it is attached. This will require the removal of the 15-mm nut (this step is required for 2004 and older models).
7. Temporarily fasten the bracket into place, making sure the holes line up and that the bracket lays flat against the frame. The bracket may appear to be bowed due to welding on one side only; clamp each end tight to the frame for this step.
8. Repeat steps 2 through 7 for passenger's side, using the passenger's side mounting bracket.

Installation Tips

To avoid drilling holes in error from out of tolerance bed to frame dimensions, mark the hole locations as lightly as possible if a center or transfer punched is used. Then use a very small diameter drill bit to drill one location on either side of bed. Determine the correctness of the bed hole locations relative to the pre-punched holes in the mounting bracket (See figure below). Adjust the lay out or template pattern relative to the end of the bed, as necessary, to move the bed holes nearer the center of the mounting bracket holes.

Installers can keep a record of the adjustments that are found necessary to properly locate the bed holes. PullRite has performed numerous installations to develop these lay out dimensions, but encourages installers to satisfy themselves as to their accuracy. PullRite recommends using 3/4" holes through the bed to help accommodate tolerance variances that occur in the vehicle assembly. Experienced installers using PullRite custom brackets have been able to skip this step after several installations of a given model of truck.



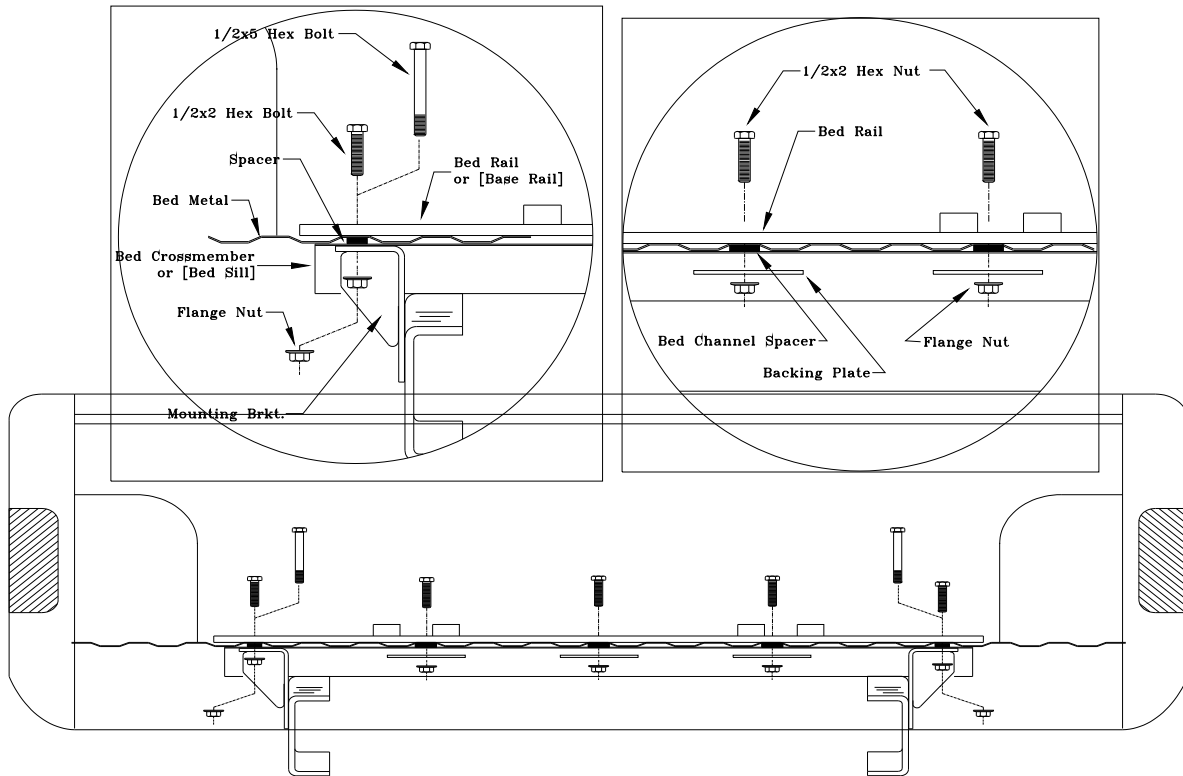
Drilling the Bed

1. Remove the mounting brackets.
2. Check all bed hole locations for any fuel lines or tanks and wiring that could become damaged in the drill process.
3. Proceed only after bed hole pattern location are satisfactory, and all hole locations are center punched. This will reduce complications in installation.
4. Drill all hole locations using a 3/4" drill bit. A step drill works best for drilling sheet metal.
5. Remove drill shavings from the bed and treat the raw edges of the drill holes with a rust inhibitor.

Hitch Installation

(read instructions once completely before beginning actual installation)

1. Install all Bottom Bed Shims in correct positions on underside of truck bed. These spacer will pass between the bottom of the bed and the top of the bed cross sills, see figures on page 8. These spacers may have to be tapped into place with a hammer.
2. Place the removed brake cable bolt in the corresponding hole in the drivers side Mounting Bracket so that the head of the bolt will be between the frame and the Mounting Bracket once placed. Fasten brake cable to the Mounting Bracket with original nut and washer. (This step is for 2004 and older trucks only.)
3. Reattach the Mounting Brackets to frame and fasten with 1/2" Lock Washers and 1/2" Hex Nuts. Torque all 1/2" fasteners to 75 foot pounds after all fasteners are in place. If the truck is equipped with over load springs you may use the original fasteners for the over load bumper bracket instead of the 1/2" bolts provided. On the driver side use the 1/2" hex bolt with the welded plate, this will provide a handle with which to reach this difficult hole location and will provide a means for "back-up" when tightening the fastener.
4. Set the hitch assembly in the bed of the truck so that the second set of holes from the end of the Base Rails line up with the holes drilled in the bed.
5. Attach the Base Pedestal to the Base Rail loops using the four 3/4" Base Rail Hinge Pins and four #9 Pin Clips.
6. Insert all 1/2"-13 x 2" bolts through the Base Rails and the bed. See figures on page 3 and page 8.
7. Fasten the six outer most 1/2"-13 x 2" bolts with the 1/2-13 Flange Nuts provided
8. Referring to the figures on page 8 and 3 fasten the six 1/2-13 x 2" bolts located in the center of the Base Rails using Single Hole Bed Shims, Offset Hole Back-up Plates and 1/2"-13 Flange Nuts. See Installation Tips on page 8. Access these bolt locations by hinging the Base Pedestal on the front two 3/4" Hinge Pins.
9. Using the holes in the Base Rail located over the bed cross sill and a 1/2" drill bit drill the bottom of the cross sill and insert the two 1/2"-13 x 5" Bolts then fasten with 1/2"-13 Flange Nuts.
10. Torque all frame bolts.
11. Replace the spare tire.
12. Check to be sure all 3/4" Hinge Pins are free for removal. It is not unusual for them to be snug but they should be operable by hand.



Installation Tips

Make sure that all of the Hex Bolts are hanging straight down. If they are not, remove the Hex Bolt and run a 1/2" drill bit through the hole so that they will. Bolts that do not hang straight may cause the Base Rails to shift and, in turn, make the removal and re-attachment of the base more difficult.

In order to place the Flange Nuts for locations that are hard to reach, place a contact spray adhesive on the Bottom Bed Shim, Center Hole Back-up Plate, and Flange Nut. Then, position them one on top of the other as shown in figures on page 3 and 8. The actual placement of these pieces could be difficult to reach. In order to do this, a tool can be fashioned from a piece of material with the approximate dimensions of 1/4" x 2" x 20", with a 7/8" hole cut about 2 to 3 inches from one end. Place the nut, which is now attached to the Backup Plate and Bed Shim with spray adhesive, in the 7/8" hole and position the assembly through the wheel well over the top of the frame. It takes two people but can speed installation time and ease.

General Comments

First installations of any product usually take longer than if they were practiced. Keeping a record of measurement adjustments for each vehicle, make, and model will speed future installations and aid others who are training to install hitches. For installers who are interested in a hole pattern template, contact your PullRite distributor sales representative. If you have any installation questions, contact PullRite customer service at 800/443-2307.